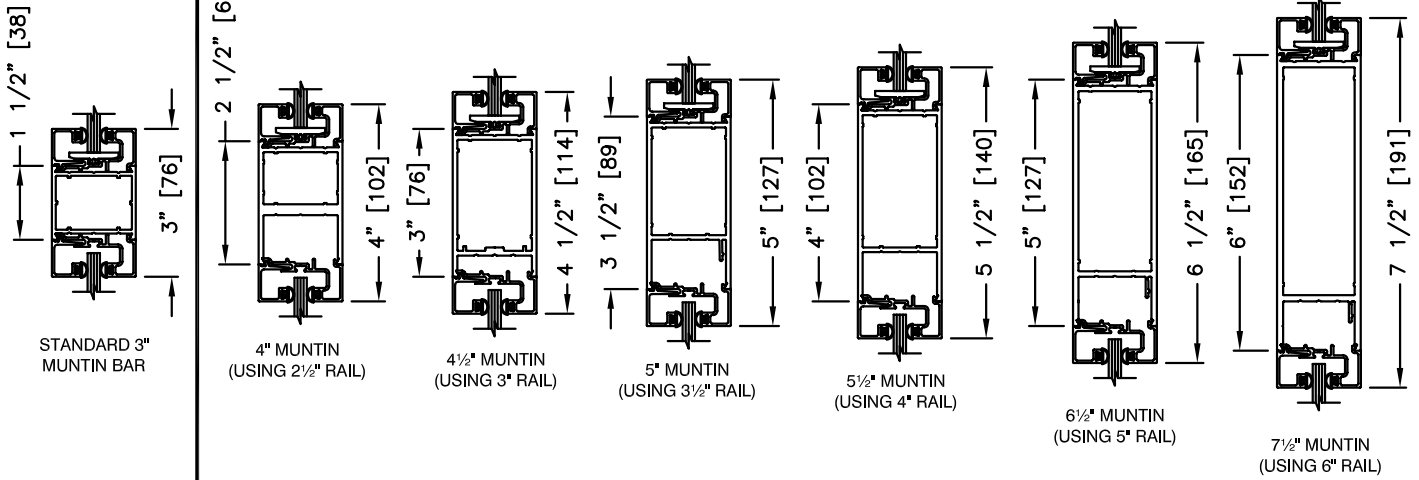
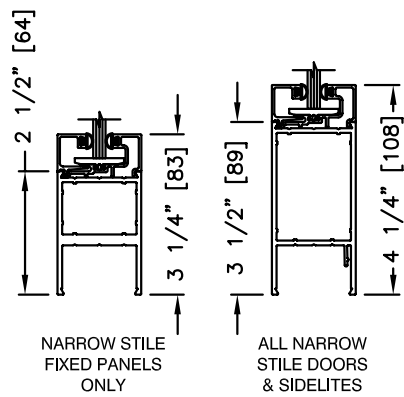


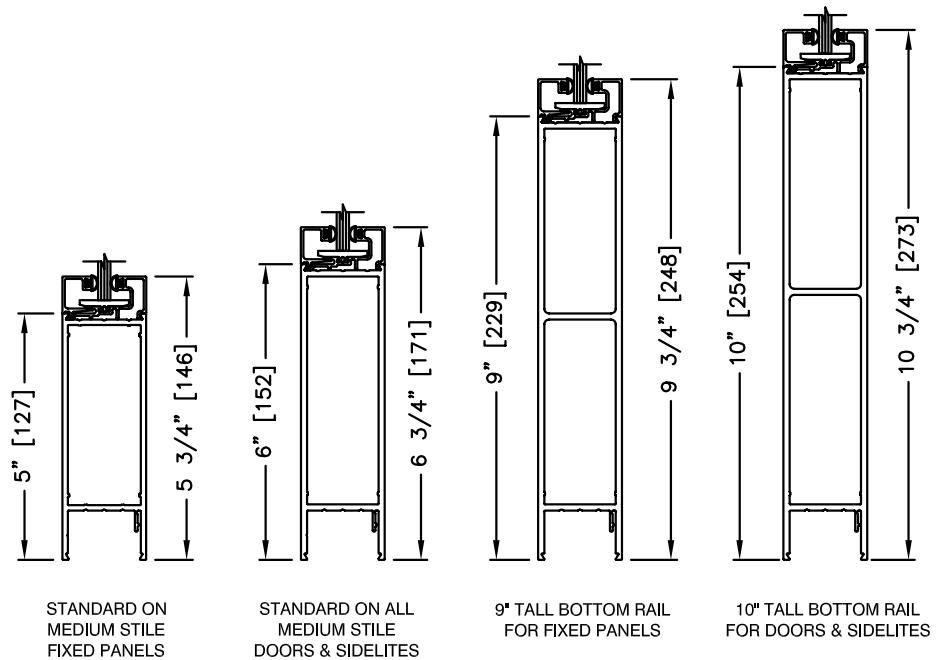
MUNTINS BARS ARE LOCATED AT A STANDARD HEIGHT OF 41 5/8" [1057] ABOVE THE FLOOR OR THRESHOLD TO THE CENTERLINE OF THE MUNTIN BAR.



**MUNTIN BARS**  
SCALE: 1/4 SIZE



**STANDARD BOTTOM RAILS**



**VARIOUS BOTTOM RAILS AVAILABLE**  
(CONTACT FACTORY FOR OTHER SIZES)

**BOTTOM RAILS**  
SCALE: 1/4 SIZE