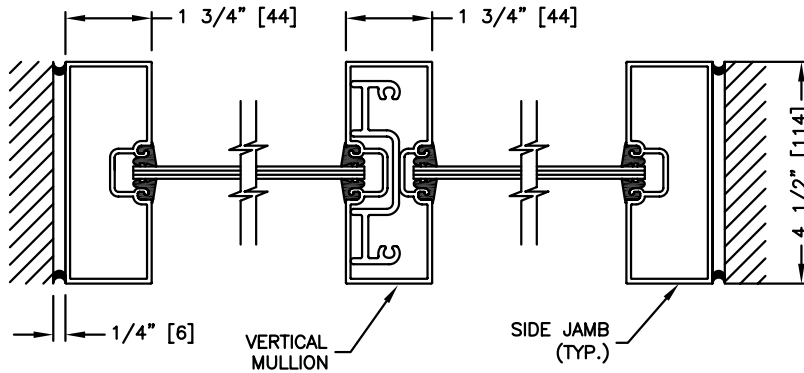
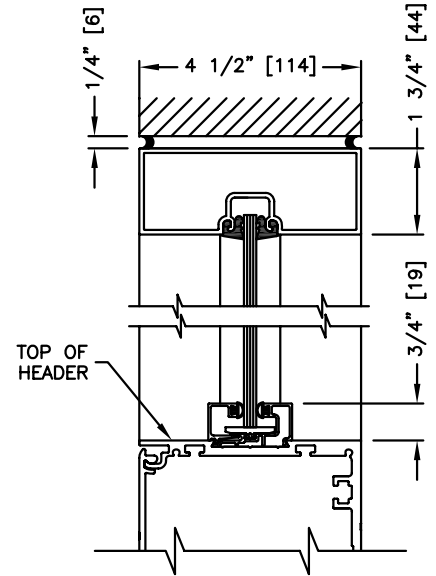


TRANSOM DETAILS

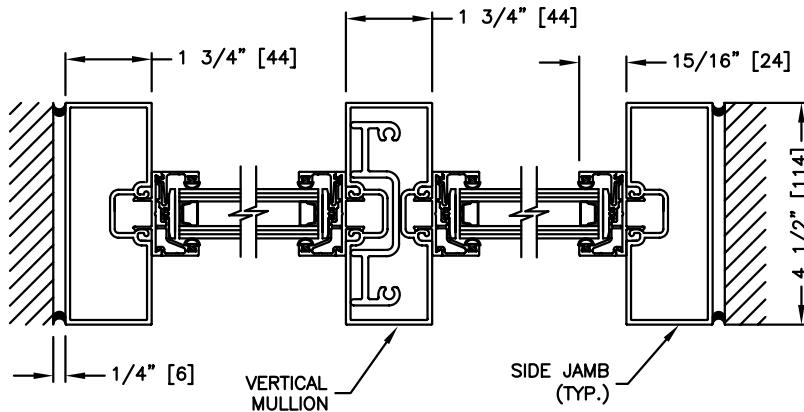
SCALE: ¼ SIZE



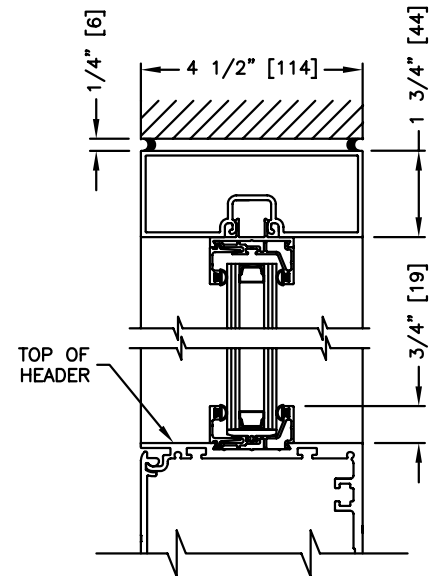
HORIZONTAL SECTION THROUGH TRANSOM
(SHOWN WITH ¼" GALZING)



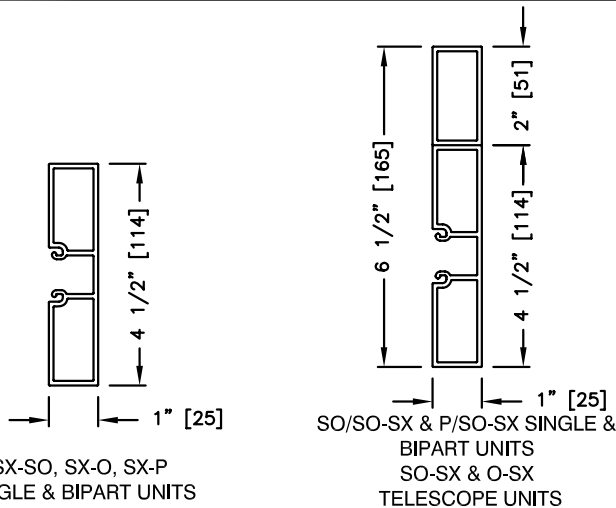
VERTICAL SECTION THROUGH TRANSOM
(SHOWN WITH ¼" GALZING)



HORIZONTAL SECTION THROUGH TRANSOM
(SHOWN WITH 1" THERMAL GALZING)



VERTICAL SECTION THROUGH TRANSOM
(SHOWN WITH 1" THERMAL GALZING)



1" JAMB DETAILS
SCALE: ¼ SIZE

NOTE:

WHEN USING 1" JAMBS IN PLACE OF STANDARD 1 ¾" JAMBS, DOOR OPENING WIDTH (DOW) IS INCREASED BY ¾" (SINGLE & BIPART UNITS) AND BY 1" (TELESCOPING UNITS).