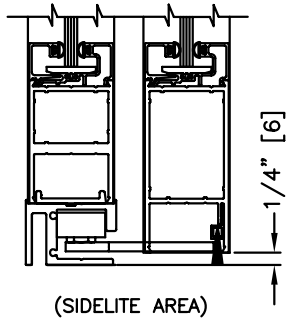


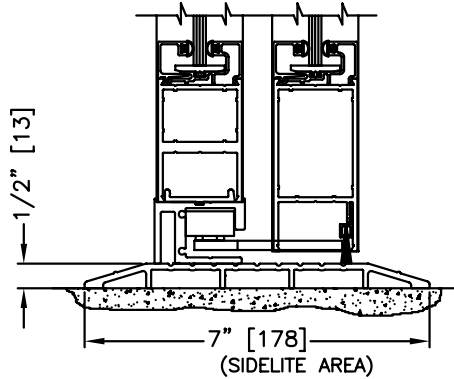


Note: Clearances Under Doors and Sidelites Are Minimum. Floor Conditions or Door Height May Vary Clearances.

BOTTOM GUIDES FOR SX-O & SX-P UNITS

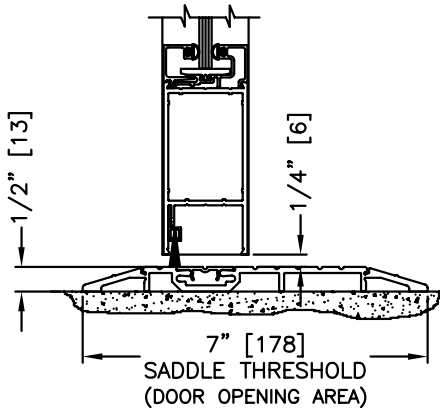


SWAY RAIL W/O THRESHOLD
 SCALE: 1/4 SIZE

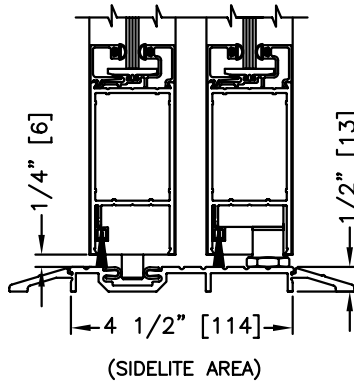


SWAY RAIL W/THRESHOLD
 SCALE: 1/4 SIZE

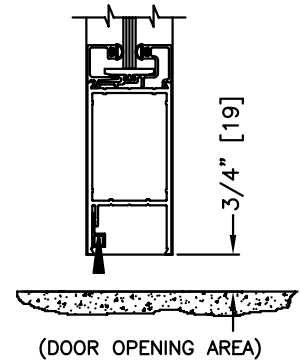
BOTTOM GUIDES FOR SO-SX & REVERSE BREAKOUT SX-P UNITS



SURFACE PIN GUIDE W/THRESHOLD
 SCALE: 1/4 SIZE



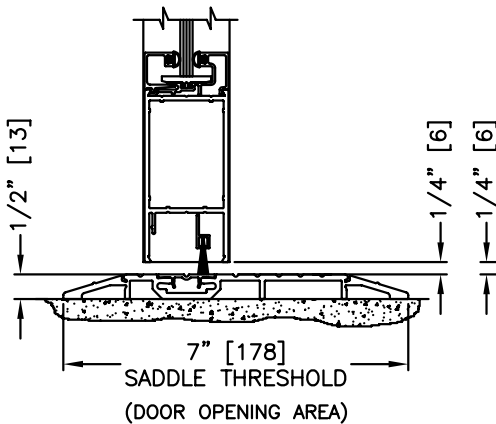
(SIDELITE AREA)



(DOOR OPENING AREA)

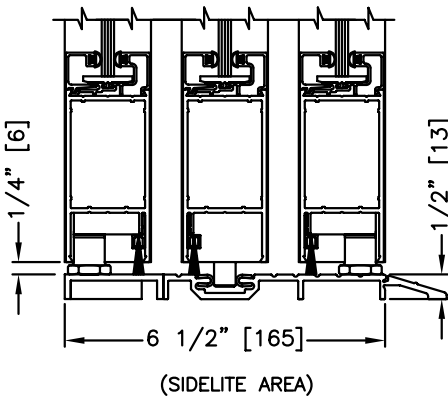
SURFACE PIN GUIDE W/O THRESHOLD
 SCALE: 1/4 SIZE

BOTTOM GUIDES FOR SO/SO-SX & P/SO-SX UNITS

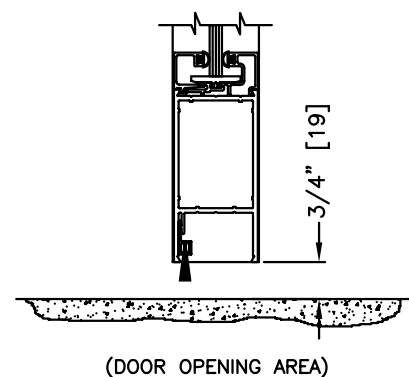


(DOOR OPENING AREA)

SURFACE PIN GUIDE W/THRESHOLD
 SCALE: 1/4 SIZE



(SIDELITE AREA)



(DOOR OPENING AREA)

SURFACE PIN GUIDE W/O THRESHOLD
 SCALE: 1/4 SIZE