



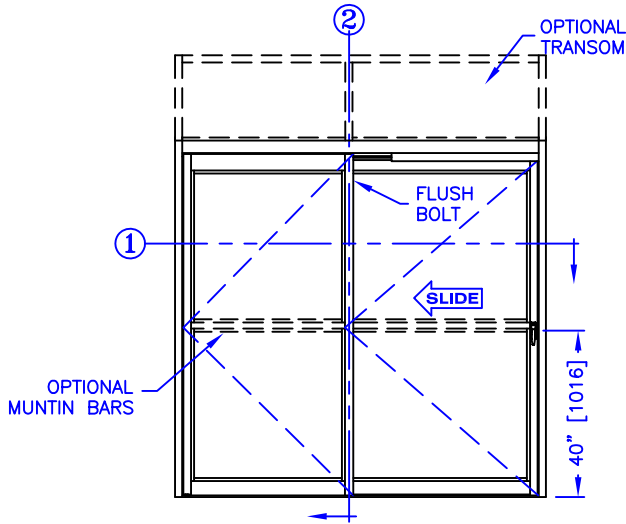
record-usa
4910 STARCREST DR.
MONROE, NC 28110
(704) 289 - 9212

JOB NAME: _____

LOCATION: _____

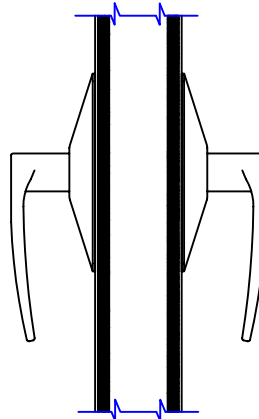
5900 SERIES MANUAL SLIDING DOORS

TYPE: 5904-1, S0-SX, L.H. SINGLE
TRACKLESS BOTTOM GUIDE AND POSITIVE LATCH



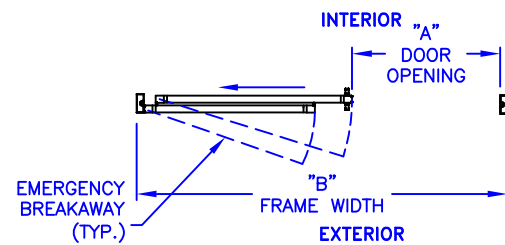
ELEVATION VIEW

SCALE: 1/4" = 1'0"



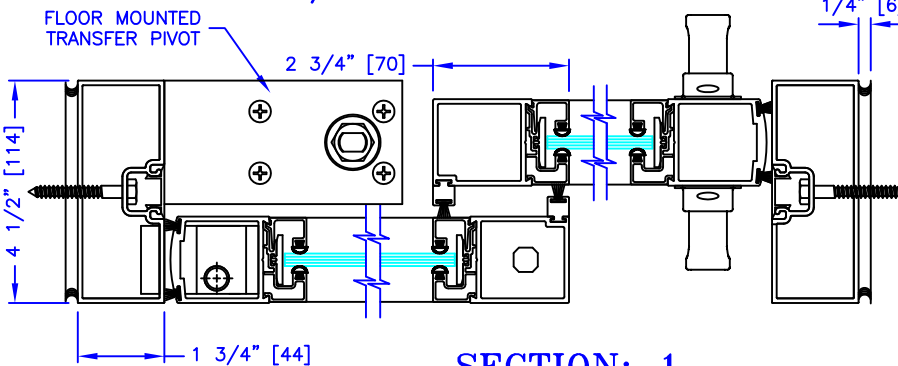
POSITIVE LATCH HANDLE

SCALE: 1/4 SIZE



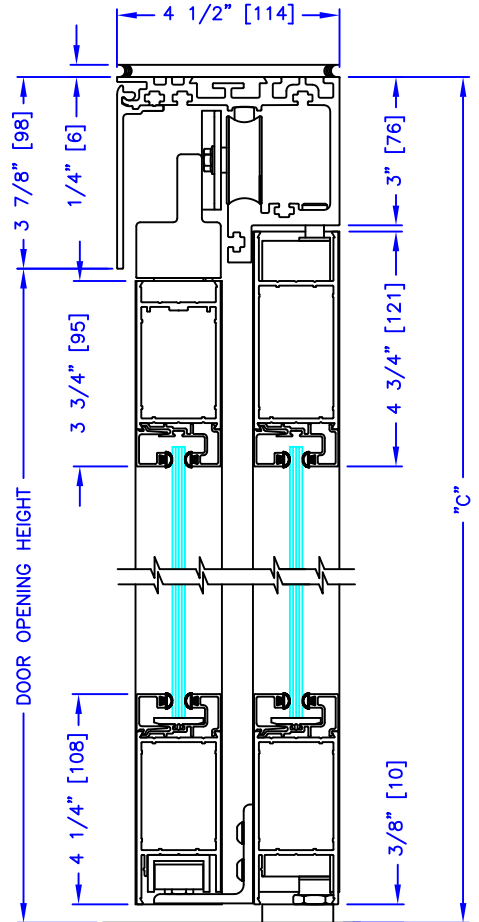
PLAN VIEW

SCALE: 1/4" = 1'0"



SECTION: 1

SCALE: 1/4 SIZE



SECTION: 2

SCALE: 1/4 SIZE

NOTE:

1. See sheets 59-2.39 thru 59-2.45 for optional muntins, bottom rails, transoms, glazing variations, bottom guides & thresholds.
2. Panels breakaway only when sliding door is fully open and flush bolt at the top of the "S0" panel is released.

DIMENSIONS FOR STANDARD NARROW STILE PACKAGES

DOOR OPENING "A"	STD. PACKAGE WIDTH "B"	STD. PACKAGE HEIGHT "C"	DOOR OPENING HEIGHT	MAX. OPENING MANUALLY
36 (914)	90 (2286)	87 (2210)	82 (2083)	81-3/4 (2076)
42 (1067)	102 (2591)	87 (2210)	82 (2083)	93-3/4 (2381)
45 (1143)	108 (2743)	87 (2210)	82 (2083)	99-3/4 (2534)
48 (1219)	114 (2896)	87 (2210)	82 (2083)	105-3/4 (2686)

Masonry Opening is 1/4" (6) per side larger and 1/4" taller than package dimensions.
Measurements given in inches (millimeters).



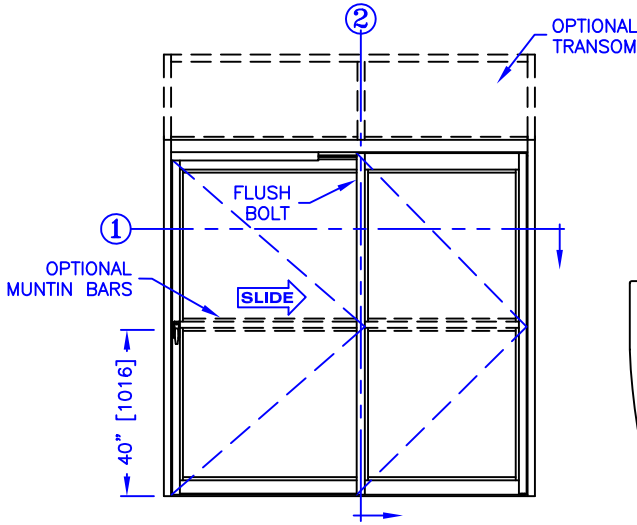
record-usa
4910 STARCREST DR.
MONROE, NC 28110
(704) 289 - 9212

JOB NAME: _____

LOCATION: _____

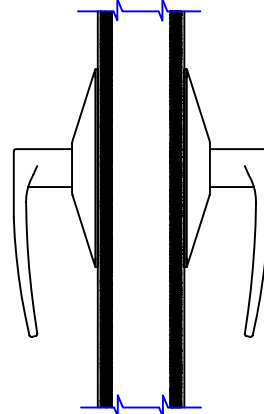
5900 SERIES MANUAL SLIDING DOORS

TYPE: 5905-1, SX-SO, R.H. SINGLE
TRACKLESS BOTTOM GUIDE AND POSITIVE LATCH



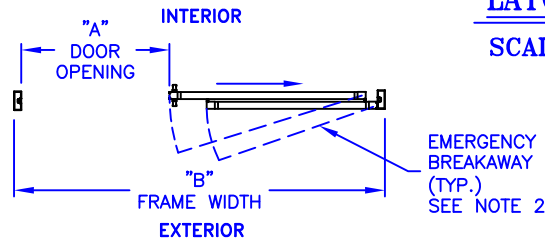
ELEVATION VIEW

SCALE: 1/4" = 1'0"



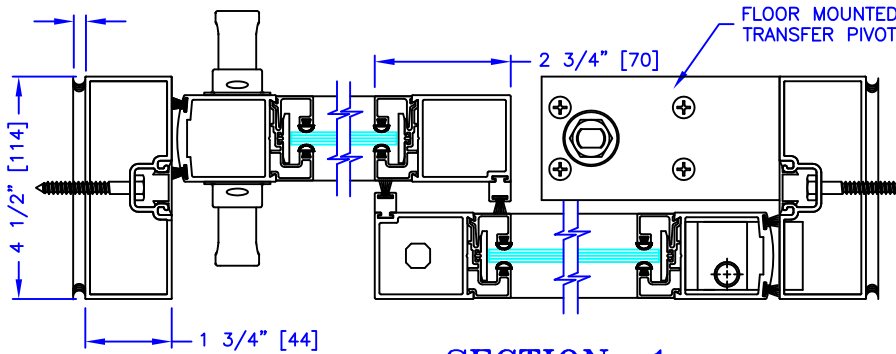
POSITIVE LATCH HANDLE

SCALE: 1/4 SIZE



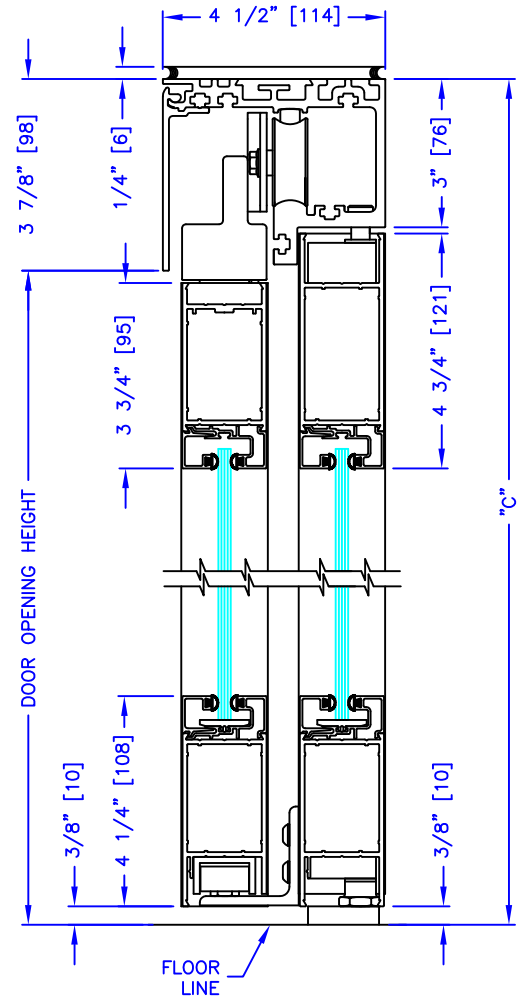
PLAN VIEW

SCALE: 1/4" = 1'0"



SECTION: 1

SCALE: 1/4 SIZE



SECTION: 2

SCALE: 1/4 SIZE

NOTE:

- See sheets 59-2.39 thru 59-2.45 for optional muntins, bottom rails, transoms, glazing variations, bottom guides & thresholds.
- Panels breakaway only when sliding door is fully open and flush bolt at the top of the "SO" panel is released.

DIMENSIONS FOR STANDARD NARROW STILE PACKAGES

DOOR OPENING "A"	STD. PACKAGE WIDTH "B"	STD. PACKAGE HEIGHT "C"	DOOR OPENING HEIGHT	MAX. OPENING MANUALLY
36 (914)	90 (2286)	87 (2210)	82 (2083)	81-3/4 (2076)
42 (1067)	102 (2591)	87 (2210)	82 (2083)	93-3/4 (2381)
45 (1143)	108 (2743)	87 (2210)	82 (2083)	99-3/4 (2534)
48 (1219)	114 (2896)	87 (2210)	82 (2083)	105-3/4 (2686)

Masonry Opening is 1/4" (6) per side larger and 1/4" taller than package dimensions.
Measurements given in inches (millimeters).