

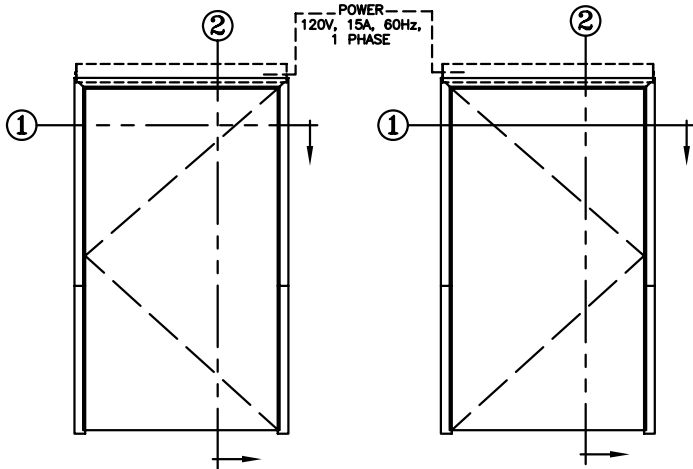


record-usa
 4324 PHIL HARGETT CT.
 MONROE, NC 28110
 (704) 289 - 9212

JOB NAME: _____
 LOCATION: _____

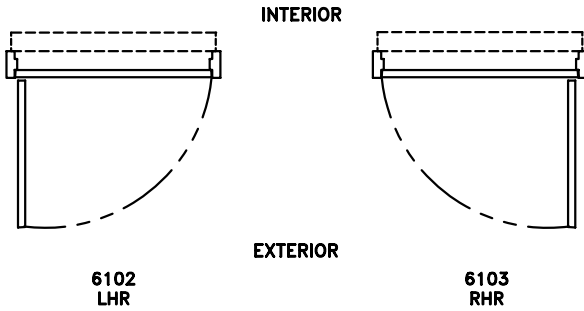
LOW ENERGY SWING DOOR OPERATORS

SERIES: 6100 LOW ENERGY OPERATOR
 MODEL: 6102 (RHR), 6103 (LHR)
 TYPE: OUTSWING (TRACK ARM)



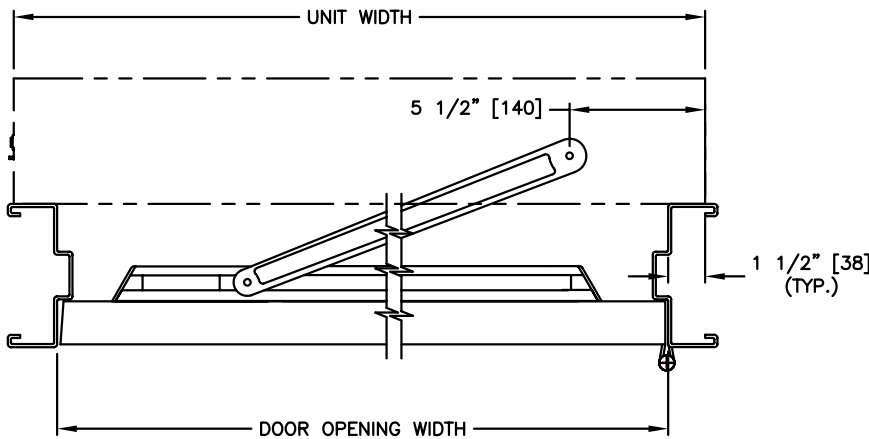
ELEVATION VIEW

SCALE: 1/4" = 1'0"



PLAN VIEW

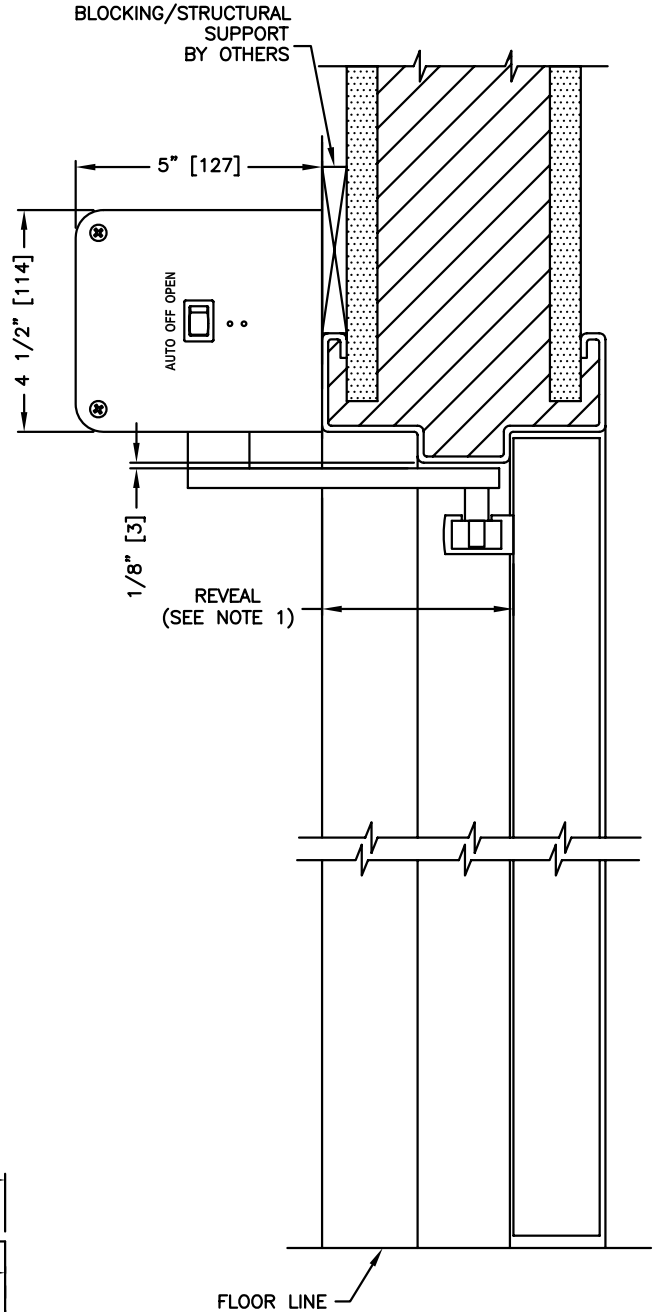
SCALE: 1/4" = 1'0"



RHR SHOWN
 (LHR OPPOSITE)

SECTION: 1

SCALE: 1/8 SIZE



SECTION: 2

SCALE: 1/4 SIZE

- NOTES: 1. DEPTH OF REVEAL UP TO 3" [76]
 2. DIMENSIONS IN INCHES [MILLIMETERS].