



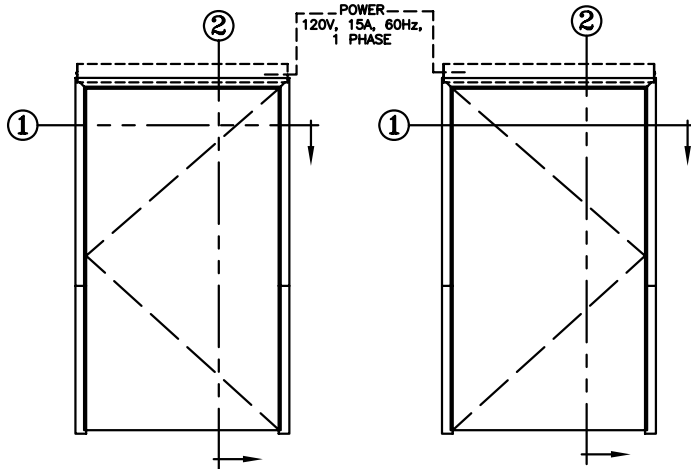
**record-usa**  
 4324 PHIL HARGETT CT.  
 MONROE, NC 28110  
 (704) 289 - 9212

JOB NAME: \_\_\_\_\_

LOCATION: \_\_\_\_\_

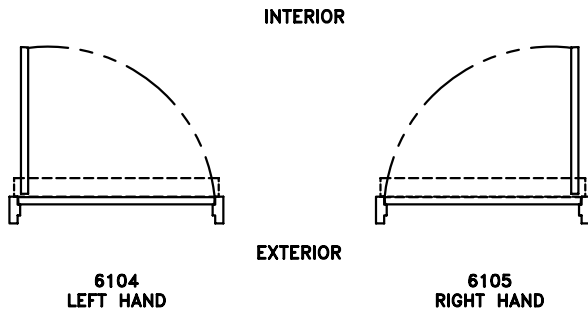
**LOW ENERGY SWING DOOR OPERATORS**

SERIES: 6100 LOW ENERGY OPERATOR  
 MODEL: 6104 (LEFT HAND), 6105 (RIGHT HAND)  
 TYPE: INSWING (TRACK ARM) PAGE 61-2.03



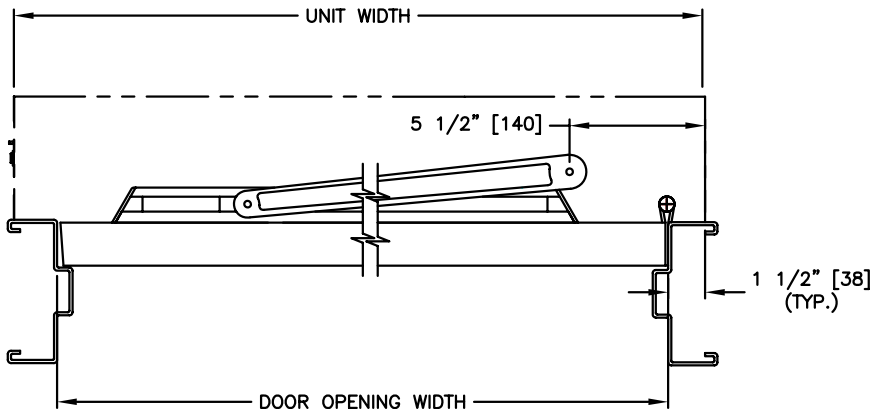
**ELEVATION VIEW**

SCALE: 1/4" = 1'0"



**PLAN VIEW**

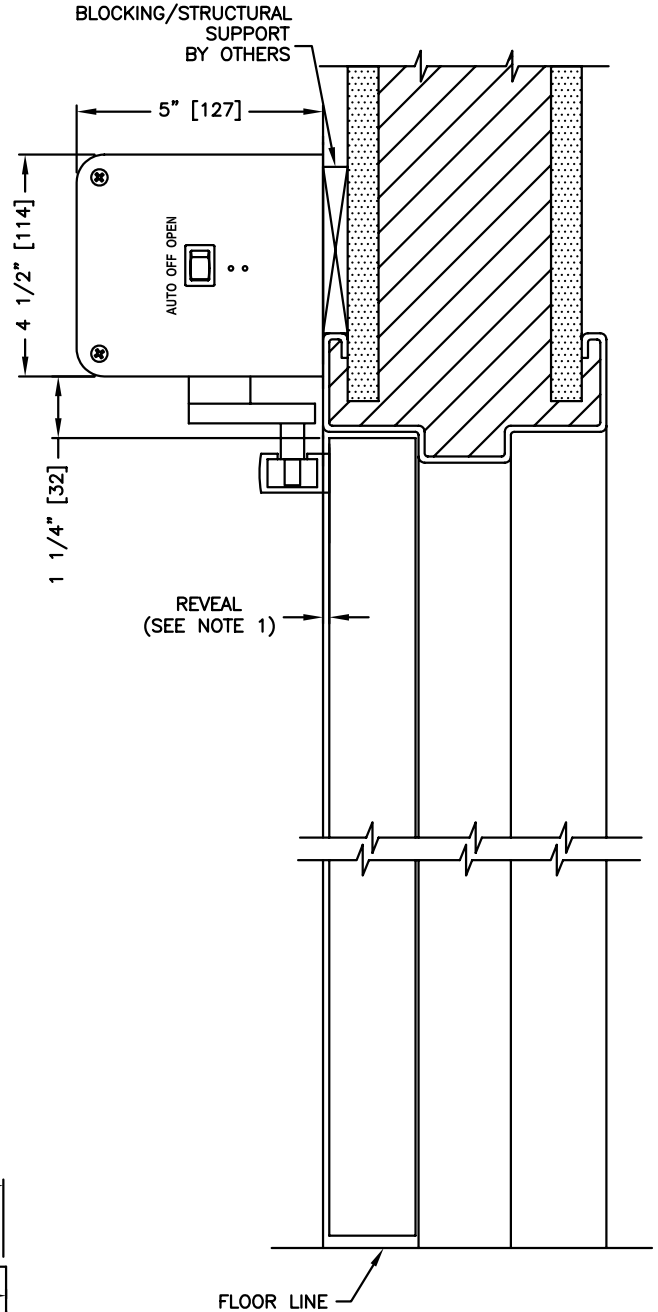
SCALE: 1/4" = 1'0"



RH SHOWN  
(LH OPPOSITE)

**SECTION: 1**

SCALE: 1/8 SIZE



**SECTION: 2**

SCALE: 1/4 SIZE

- NOTES: 1. DEPTH OF REVEAL UP TO 3" [76]  
 2. DIMENSIONS IN INCHES [MILLIMETERS].