



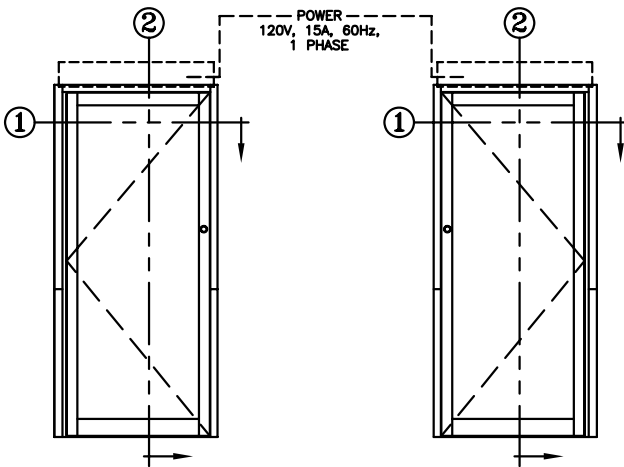
**record-usa**  
 4324 PHIL HARGETT CT.  
 MONROE, NC 28110  
 (704) 289 - 9212

JOB NAME: \_\_\_\_\_

LOCATION: \_\_\_\_\_

**LOW ENERGY SWING DOOR OPERATORS**

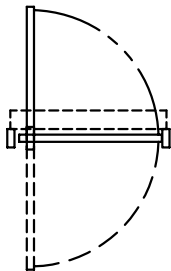
SERIES: 6100 LOW ENERGY OPERATOR  
 MODEL: 6106 (LEFT HAND), 6107 (RIGHT HAND)  
 TYPE: INSWING (TRACK ARM W/OFFSET ADAPTOR) PAGE 61-2.04



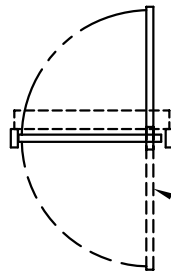
**ELEVATION VIEW**

SCALE: 1/4" = 1'0"

INTERIOR



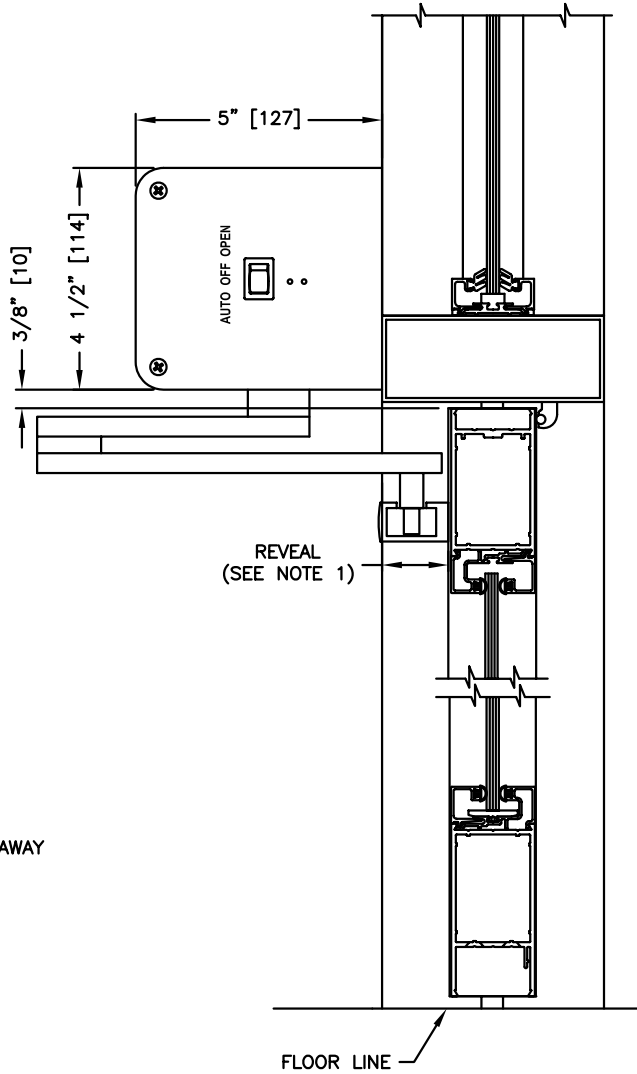
6106  
 LEFT HAND



6107  
 RIGHT HAND

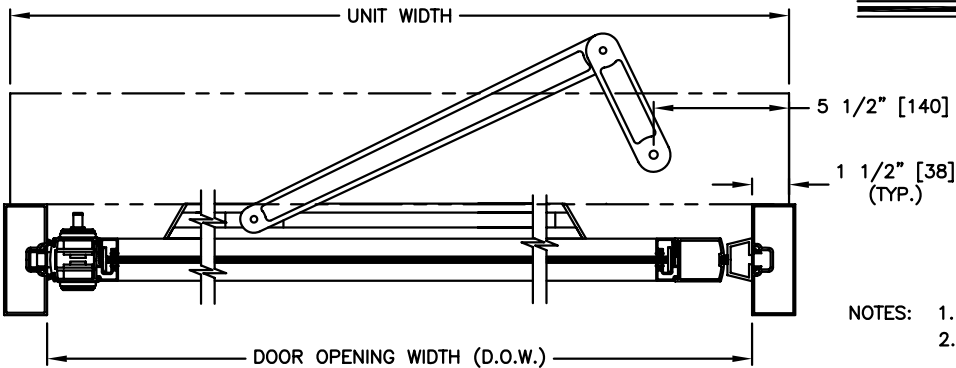
EXTERIOR

BREAKAWAY  
 (TYP.)



**SECTION: 2**

SCALE: 1/4 SIZE



RH SHOWN  
 (LH OPPOSITE)

**SECTION: 1**

SCALE: 1/8 SIZE

- NOTES: 1. DEPTH OF REVEAL UP TO 3" [76]  
 2. DIMENSIONS IN INCHES [MILLIMETERS].