



record-usa
 4324 PHIL HARGETT CT.
 MONROE, NC 28110
 (704) 289 - 9212

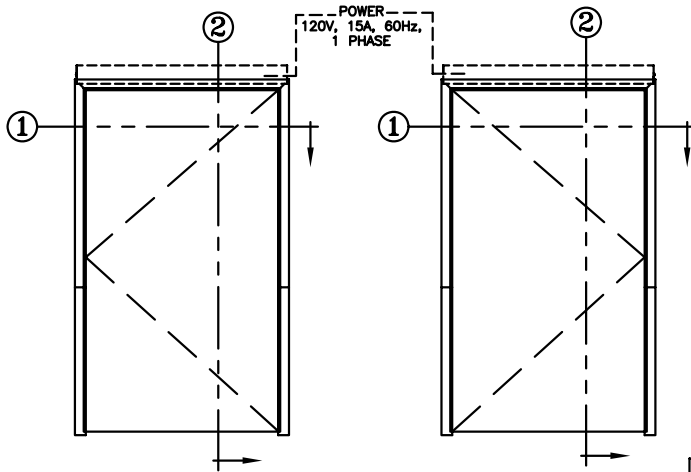
JOB NAME: _____

LOCATION: _____

LOW ENERGY SWING DOOR OPERATORS

SERIES: 6100 LOW ENERGY OPERATOR
 MODEL: 6108 (LH) 6109 (RH),
 TYPE: INSWING (STANDARD ARM)

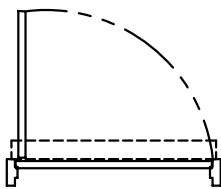
PAGE 61-2.05



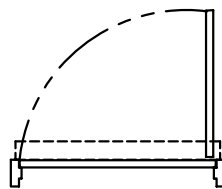
ELEVATION VIEW

SCALE: 1/4" = 1'0"

INTERIOR



6108
LEFT HAND

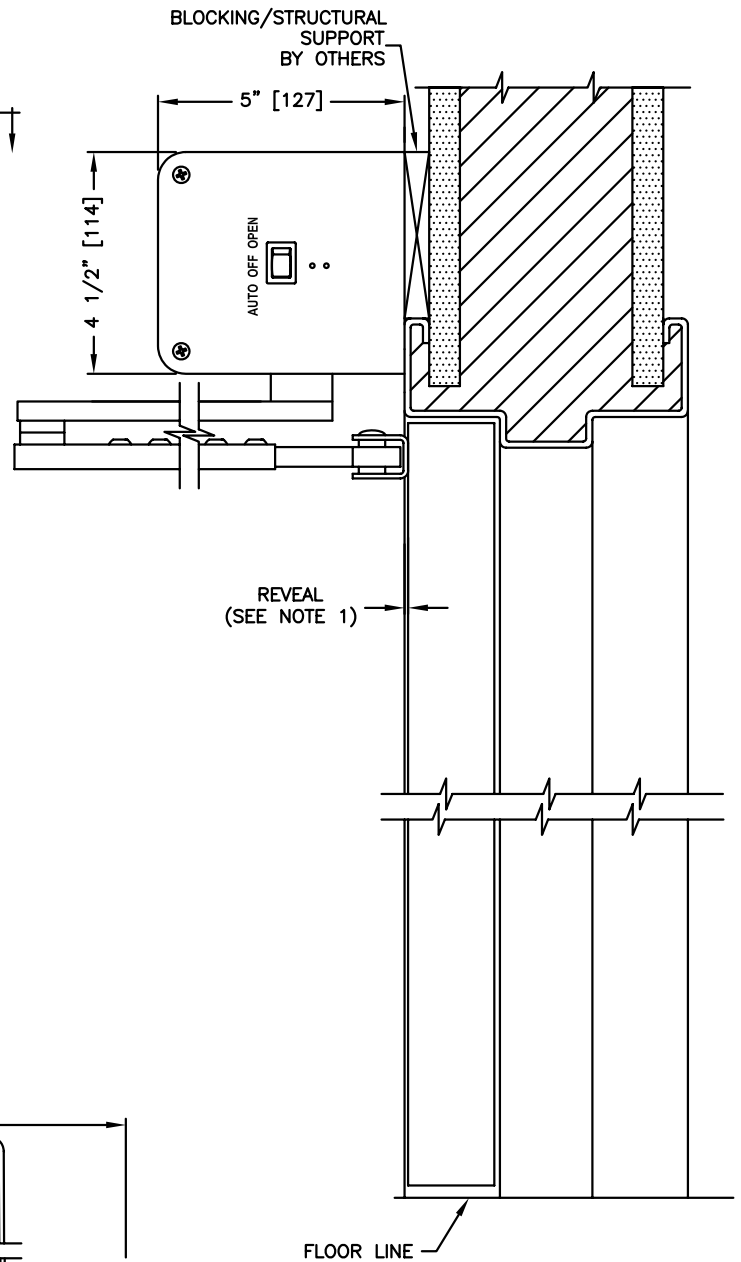


EXTERIOR

6109
RIGHT HAND

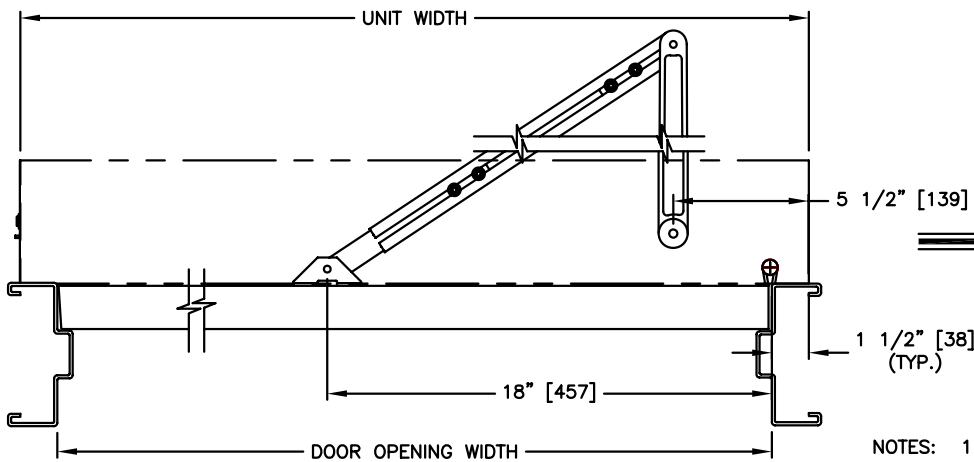
PLAN VIEW

SCALE: 1/4" = 1'0"



SECTION: 2

SCALE: 1/4 SIZE



RH SHOWN
(LH OPPOSITE)

SECTION: 1

SCALE: 1/8 SIZE

- NOTES: 1. DEPTH OF REVEAL UP TO 6" [152]
 2. DIMENSIONS IN INCHES [MILLIMETERS].