



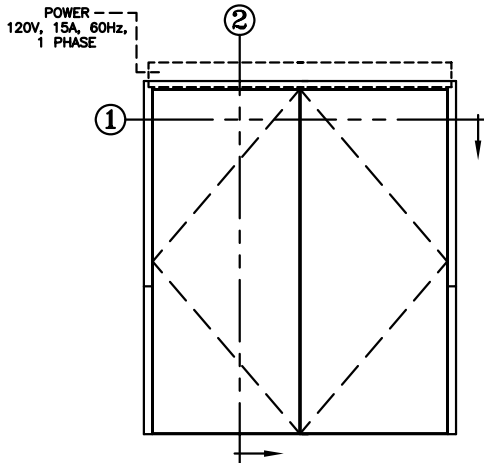
**record-usa**  
4324 PHIL HARGETT CT.  
MONROE, NC 28110  
(704) 289 - 9212

JOB NAME: \_\_\_\_\_

LOCATION: \_\_\_\_\_

**LOW ENERGY SWING DOOR OPERATORS**

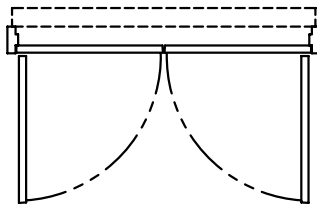
SERIES: 6100 LOW ENERGY OPERATOR  
MODEL: 6123 (DUAL SIMULTANEOUS)  
TYPE: OUTSWING (TRACK ARM)



**ELEVATION VIEW**

SCALE: 1/4" = 1'0"

INTERIOR

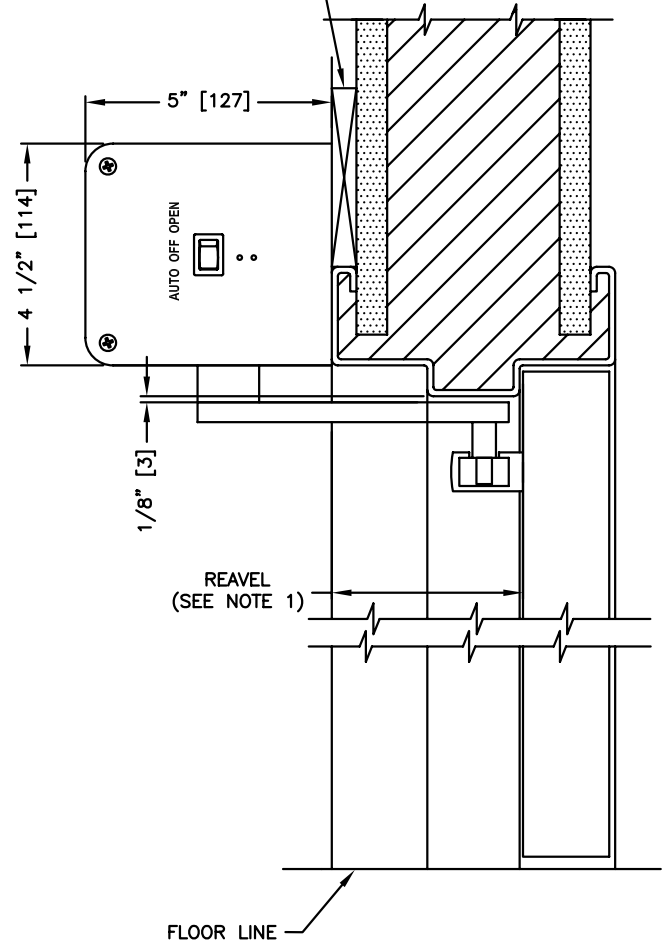


EXTERIOR

**PLAN VIEW**

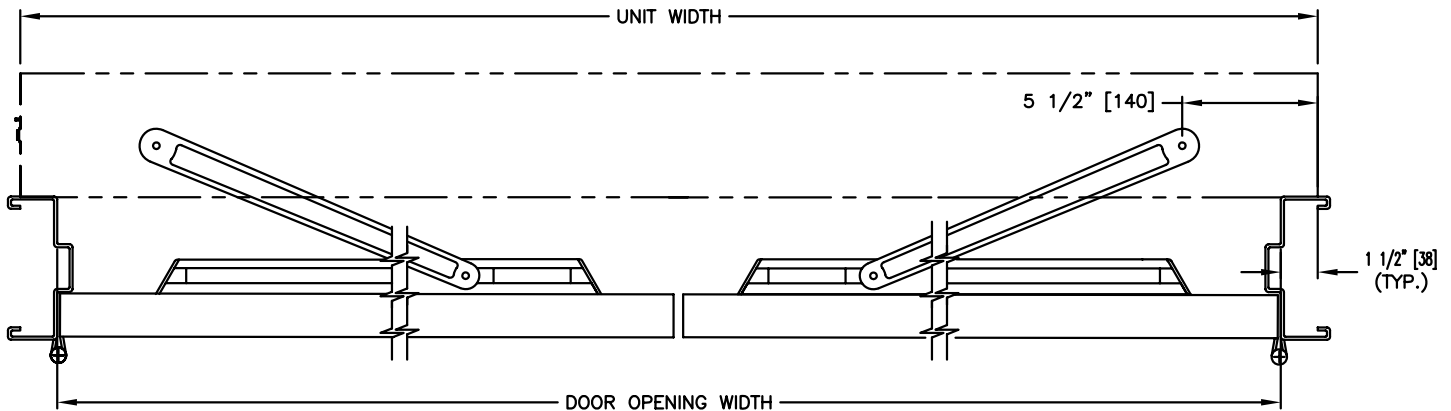
SCALE: 1/4" = 1'0"

BLOCKING/STRUCTURAL SUPPORT BY OTHERS



**SECTION: 2**

SCALE: 1/4 SIZE



**SECTION: 1**

SCALE: 1/8 SIZE

- NOTES: 1. DEPTH OF REVEAL UP TO 3" [76]  
2. DIMENSIONS IN INCHES [MILLIMETERS].