



record-usa
4324 PHIL HARGETT CT.
MONROE, NC 28110
(704) 289 - 9212

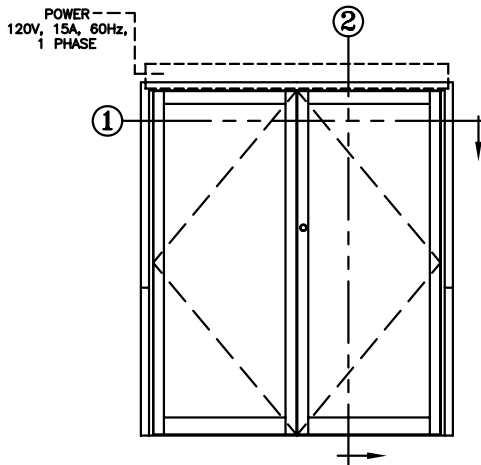
JOB NAME: _____

LOCATION: _____

LOW ENERGY SWING DOOR OPERATORS

SERIES: 6100 LOW ENERGY OPERATOR
MODEL: 6126 (DUAL SIMULTANEOUS)
TYPE: INSWING (TRACK ARM W/OFFSET ADAPTER)

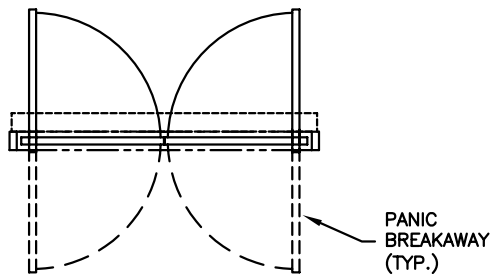
PAGE 61-2.09



ELEVATION VIEW

SCALE: 1/4" = 1'0"

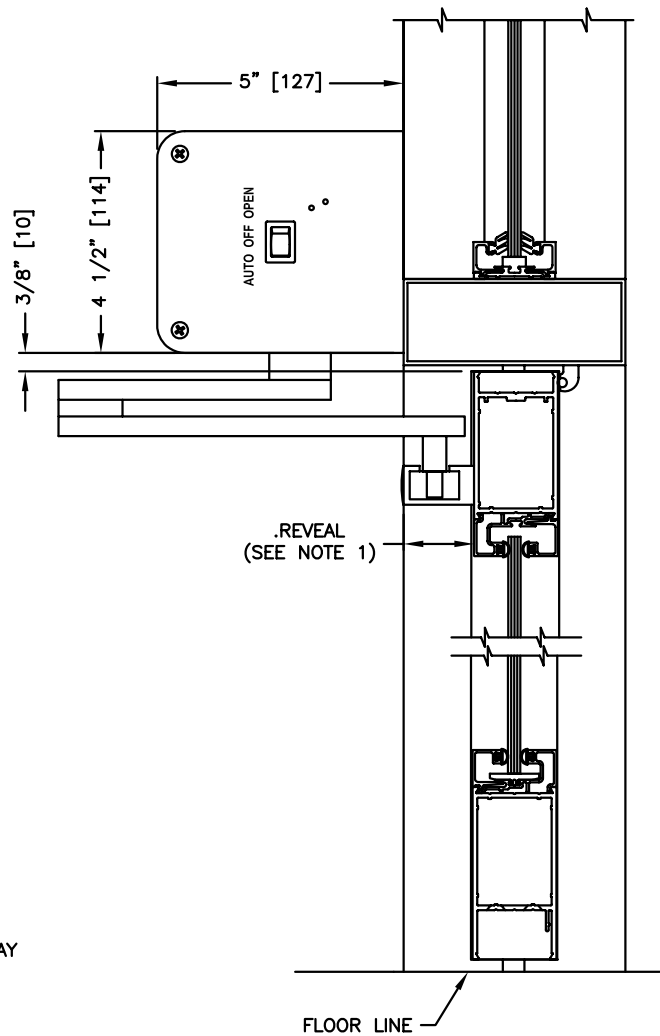
INTERIOR



EXTERIOR

PLAN VIEW

SCALE: 1/4" = 1'0"

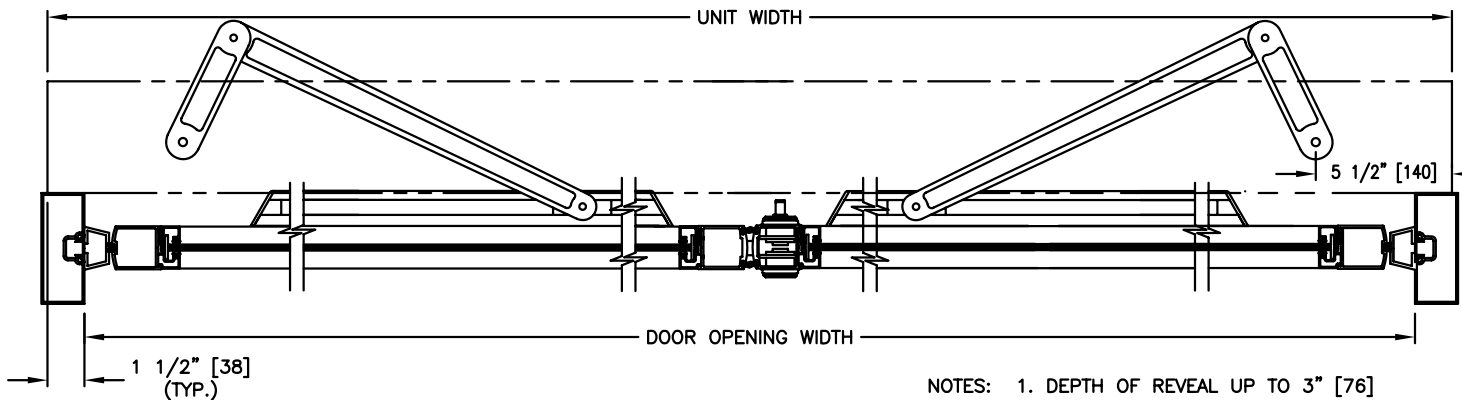


.REVEAL
(SEE NOTE 1)

FLOOR LINE

SECTION: 2

SCALE: 1/4 SIZE



SECTION: 1

SCALE: 1/8 SIZE

- NOTES: 1. DEPTH OF REVEAL UP TO 3" [76]
2. DIMENSIONS IN INCHES [MILLIMETERS].