



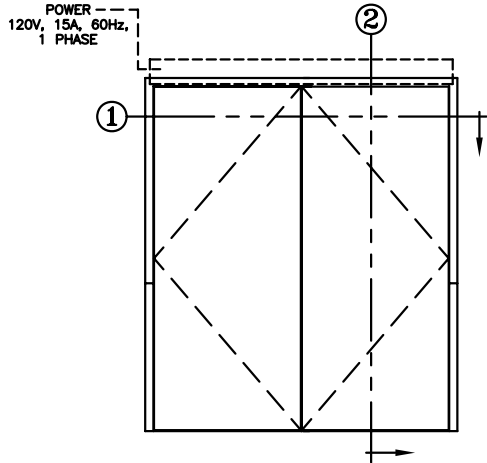
record-usa
 4324 PHIL HARGETT CT.
 MONROE, NC 28110
 (704) 289 - 9212

JOB NAME: _____

LOCATION: _____

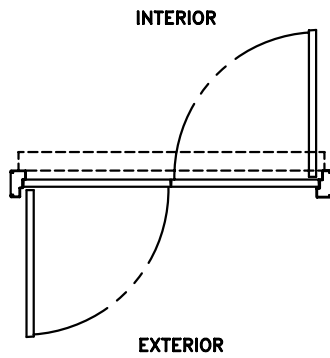
LOW ENERGY SWING DOOR OPERATORS

SERIES: 6100 LOW ENERGY OPERATOR
 MODEL: 6136 (DUAL SIM.) OR 6146 (DUAL IND.)
 TYPE: R.H. DOUBLE EGRESS PAGE 61-2.12



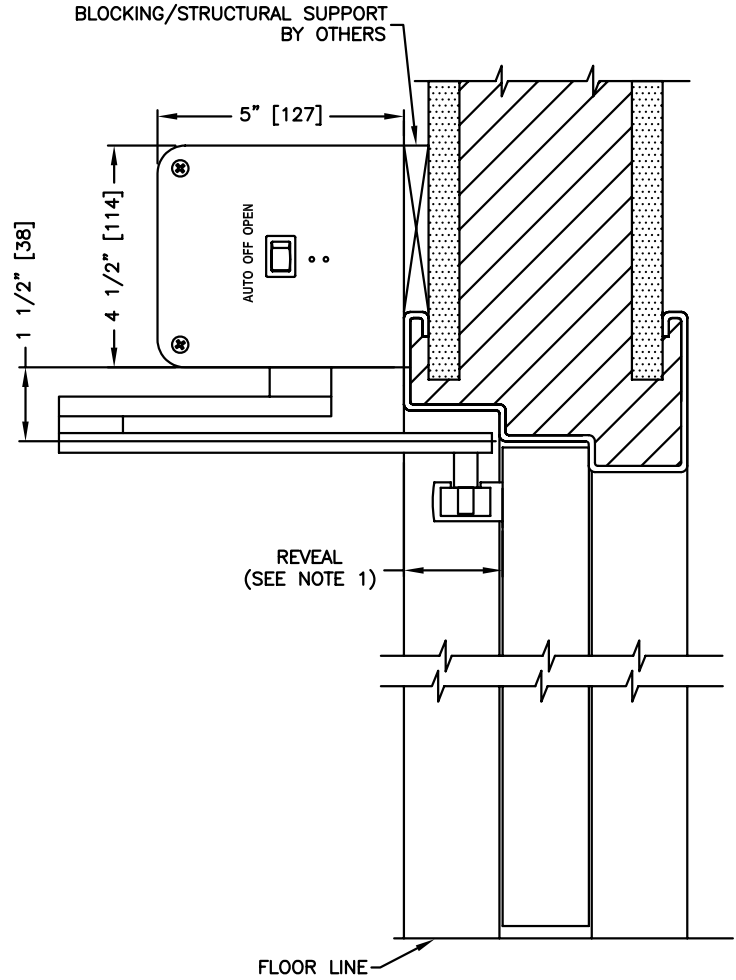
ELEVATION VIEW

SCALE: 1/4" = 1'0"



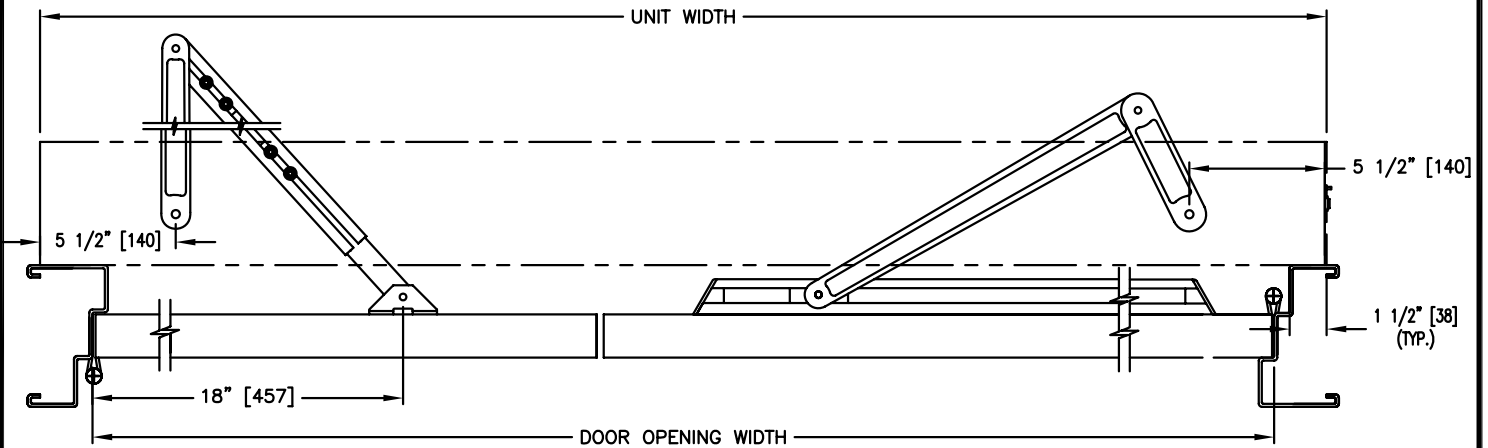
PLAN VIEW

SCALE: 1/4" = 1'0"



SECTION: 2

SCALE: 1/4 SIZE



SECTION: 1

SCALE: 1/8 SIZE

- NOTES: 1. DEPTH OF REVEAL UP TO 3" [76]
 2. DIMENSIONS IN INCHES [MILLIMETERS].