



**record-usa**  
 4324 PHIL HARGETT CT.  
 MONROE, NC 28110  
 (704) 289 - 9212

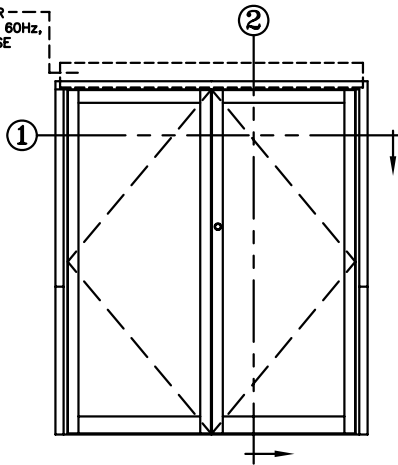
JOB NAME: \_\_\_\_\_

LOCATION: \_\_\_\_\_

**LOW ENERGY SWING DOOR OPERATORS**

SERIES: 6100 LOW ENERGY OPERATOR  
 MODEL: 6137 (DUAL SIM.) OR 6147 (DUAL IND.)  
 TYPE: R.H. DOUBLE EGRESS (W/BREAKAWAY) PAGE 61-2.13

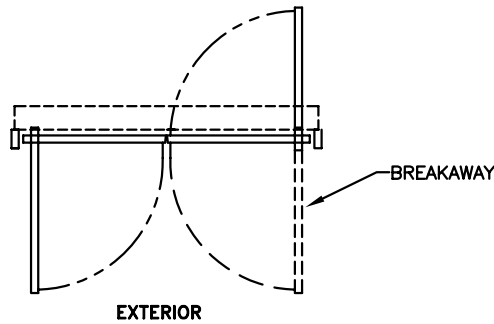
POWER ---  
 120V, 15A, 60Hz,  
 1 PHASE



**ELEVATION VIEW**

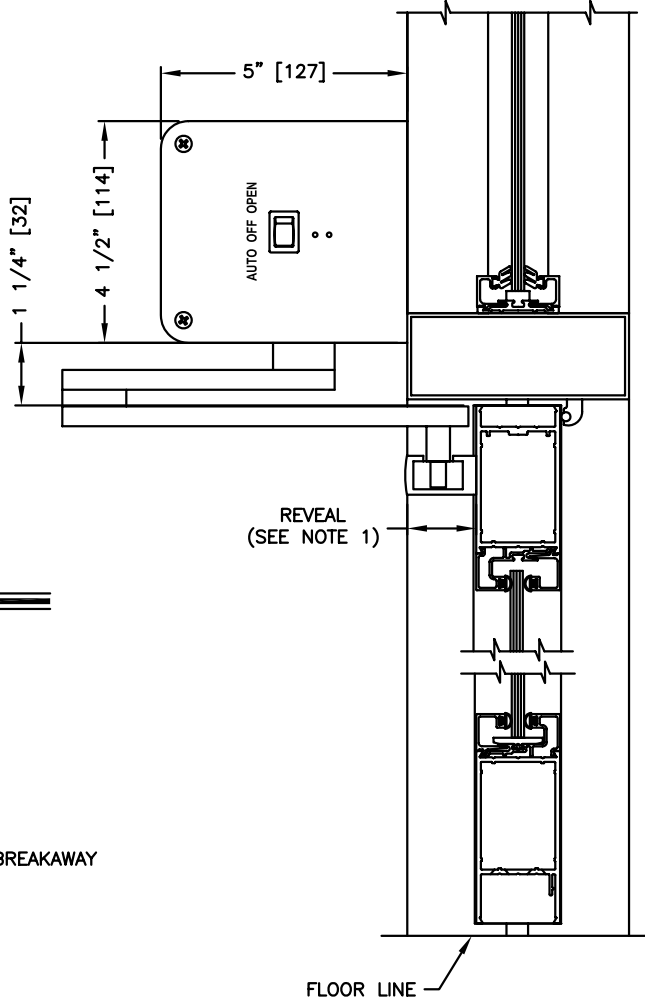
SCALE: 1/4" = 1'0"

INTERIOR



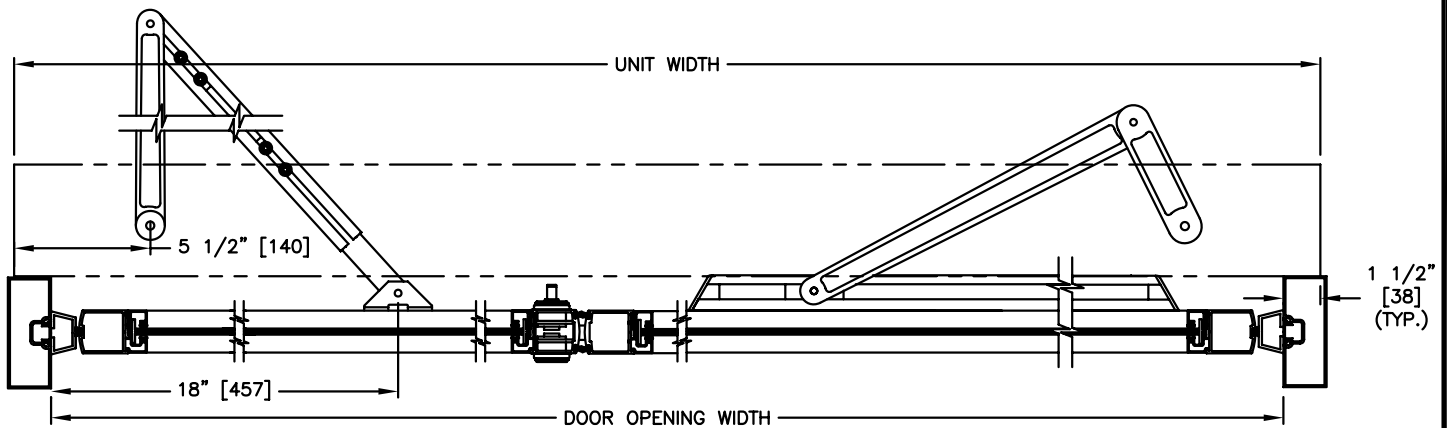
**PLAN VIEW**

SCALE: 1/4" = 1'0"



**SECTION: 2**

SCALE: 1/4 SIZE



**SECTION: 1**

SCALE: 1/8 SIZE

- NOTES: 1. DEPTH OF REVEAL UP TO 3" [76]  
 2. DIMENSIONS IN INCHES [MILLIMETERS].