



record-usa
4910 STARCREST DR.
MONROE, NC 28110
(704) 289 - 9212

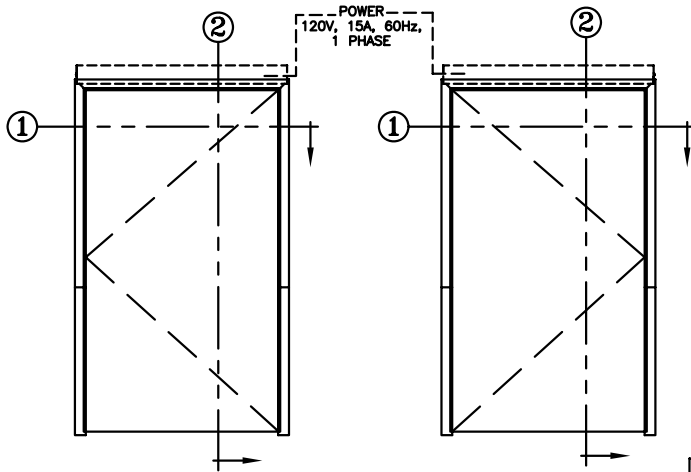
JOB NAME: _____

LOCATION: _____

AUTOMATIC SWING DOOR OPERATORS

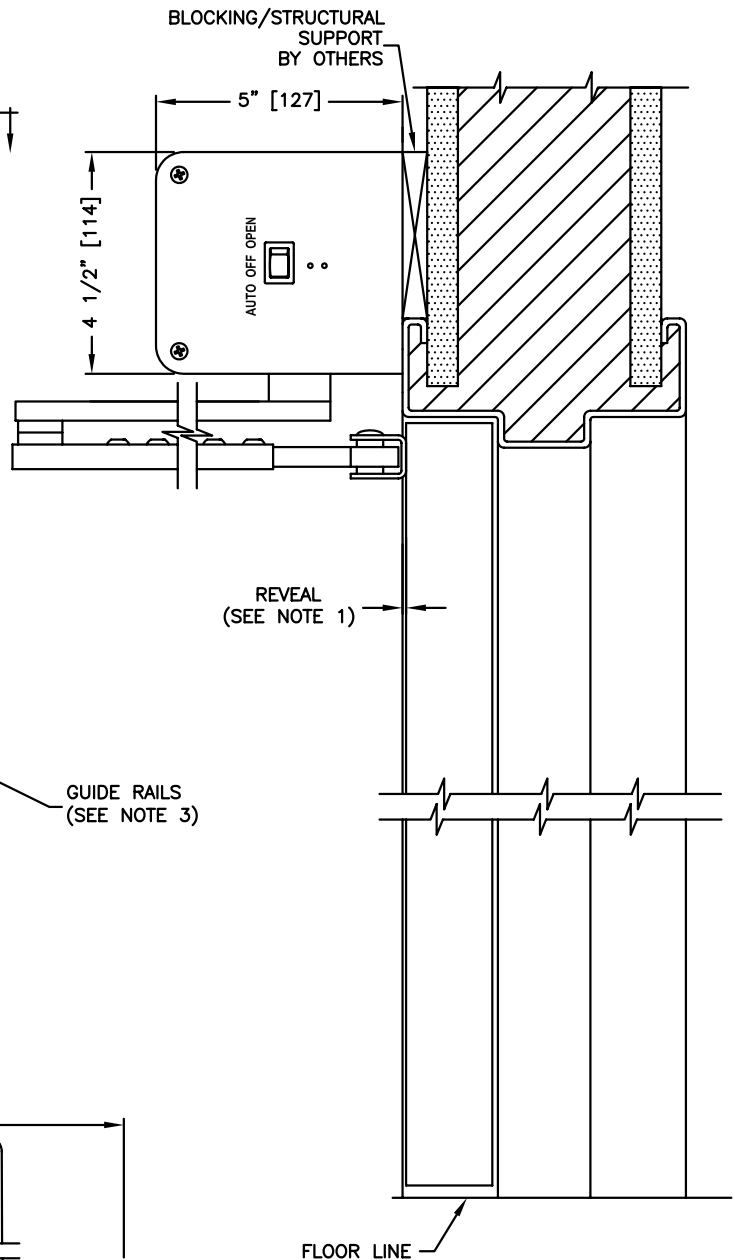
SERIES: 8100 LOW/HIGH ENERGY OPERATOR
MODEL: 8108 (LH) 8109 (RH),
TYPE: INSWING (STANDARD ARM)

PAGE 81-2.05



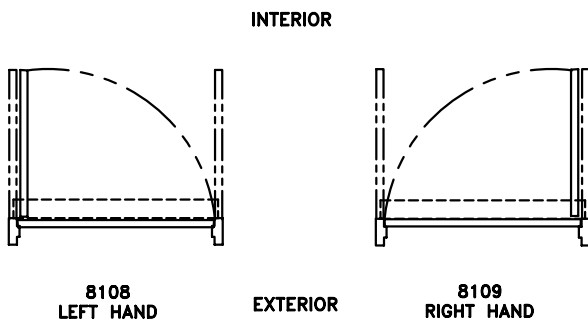
ELEVATION VIEW

SCALE: 1/4" = 1'0"



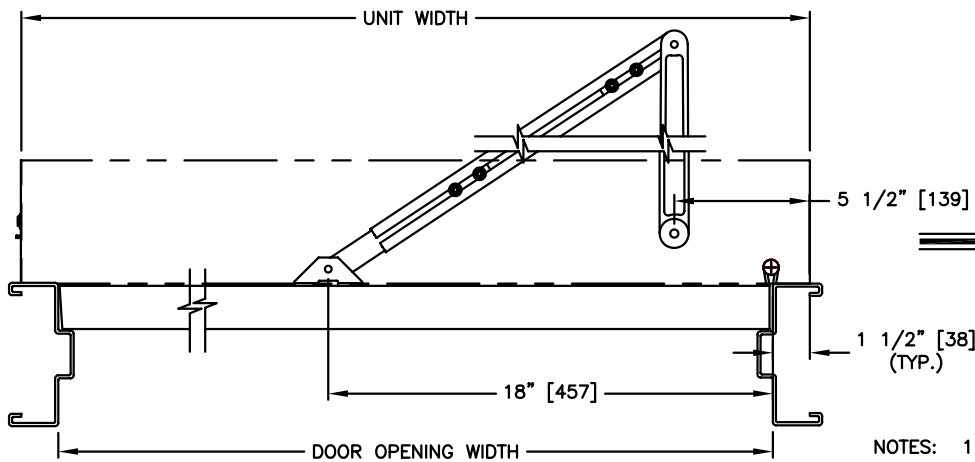
SECTION: 2

SCALE: 1/4" SIZE



PLAN VIEW

SCALE: 1/4" = 1'0"



SECTION: 1

SCALE: 1/8" SIZE

- NOTES:
1. DEPTH OF REVEAL UP TO 6" [152]
 2. DIMENSIONS IN INCHES [MILLIMETERS].
 3. SELECTION OF OPERATOR FROM 8100 (LOW ENERGY) TO 8000 (HIGH ENERGY) WILL DETERMINE THE NEED FOR GUIDE RAILS AND SAFETY SYSTEMS AND IS THE RESPONSIBILITY OF THE INSTALLER