



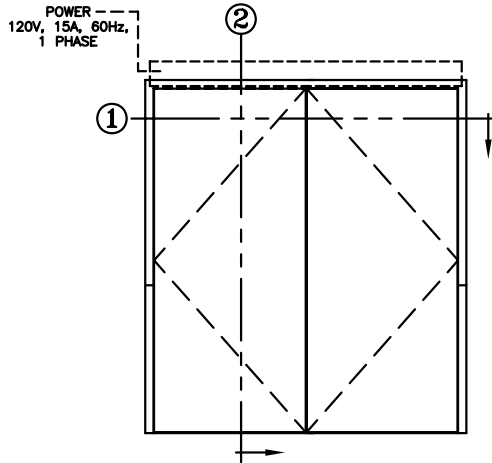
record-usa
4910 STARCREST DR.
MONROE, NC 28110
(704) 289 - 9212

JOB NAME: _____

LOCATION: _____

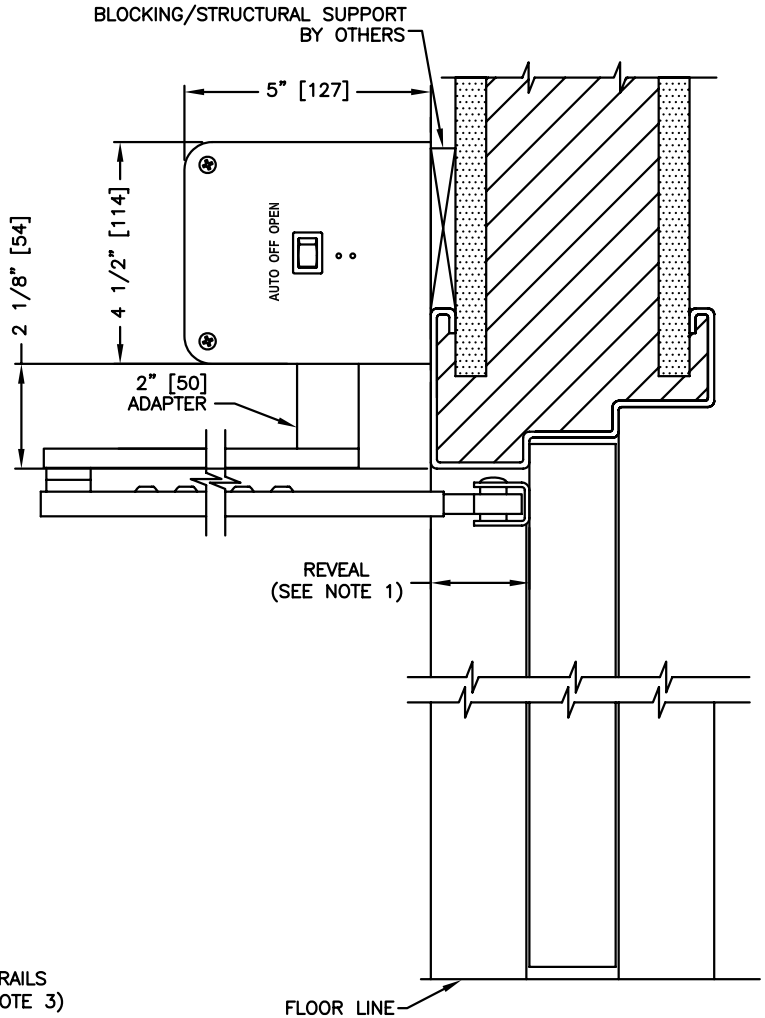
AUTOMATIC SWING DOOR OPERATORS

SERIES: 8100 LOW/HIGH ENERGY OPERATOR
MODEL: 8132 (DUAL SIM.) OR 8142 (DUAL IND.)
TYPE: L.H. DOUBLE EGRESS PAGE 81-2.10



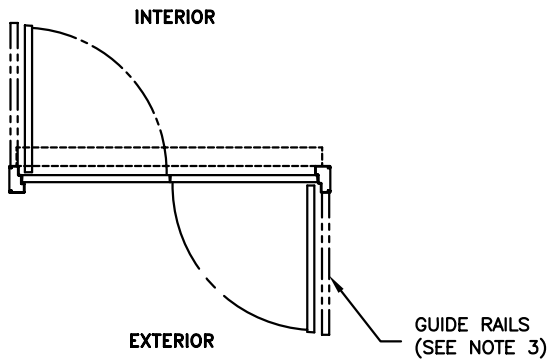
ELEVATION VIEW

SCALE: 1/4" = 1'0"



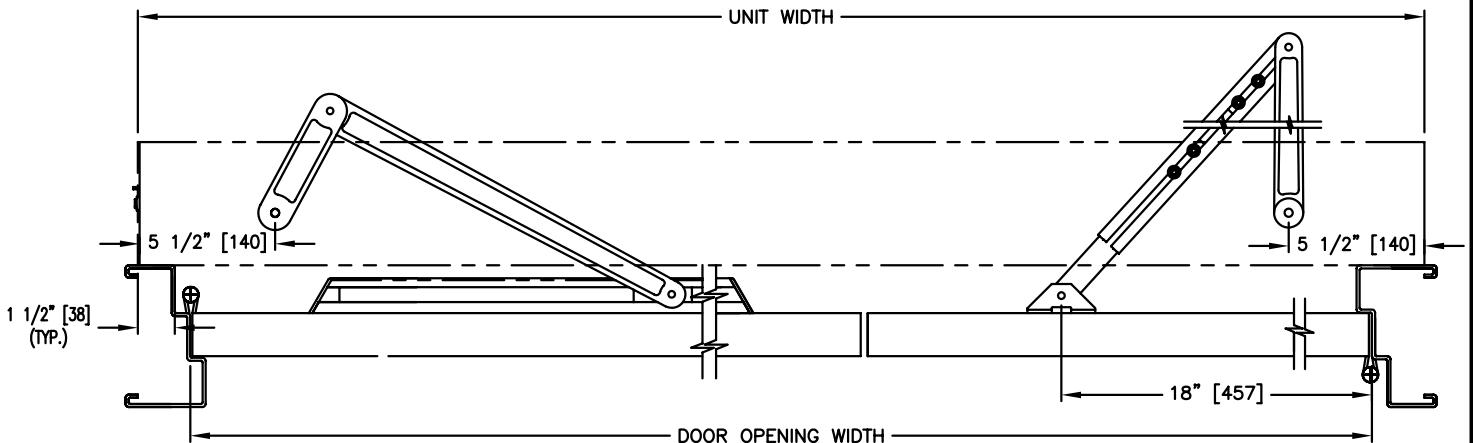
SECTION: 2

SCALE: 1/4 SIZE



PLAN VIEW

SCALE: 1/4" = 1'0"



SECTION: 1

SCALE: 1/8 SIZE

- NOTES:
1. DEPTH OF REVEAL UP TO 3" [76]
 2. DIMENSIONS IN INCHES [MILLIMETERS].
 3. SELECTION OF OPERATOR FROM 8100 (LOW ENERGY) TO 8000 (HIGH ENERGY) WILL DETERMINE THE NEED FOR GUIDE RAILS AND SAFETY SYSTEMS AND IS THE RESPONSIBILITY OF THE INSTALLER