



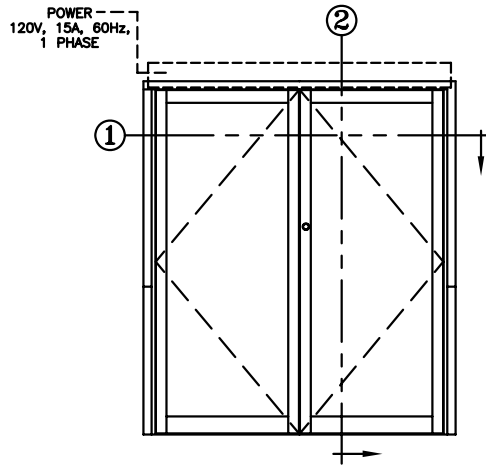
**record-usa**  
4910 STARCREST DR.  
MONROE, NC 28110  
(704) 289 - 9212

JOB NAME: \_\_\_\_\_

LOCATION: \_\_\_\_\_

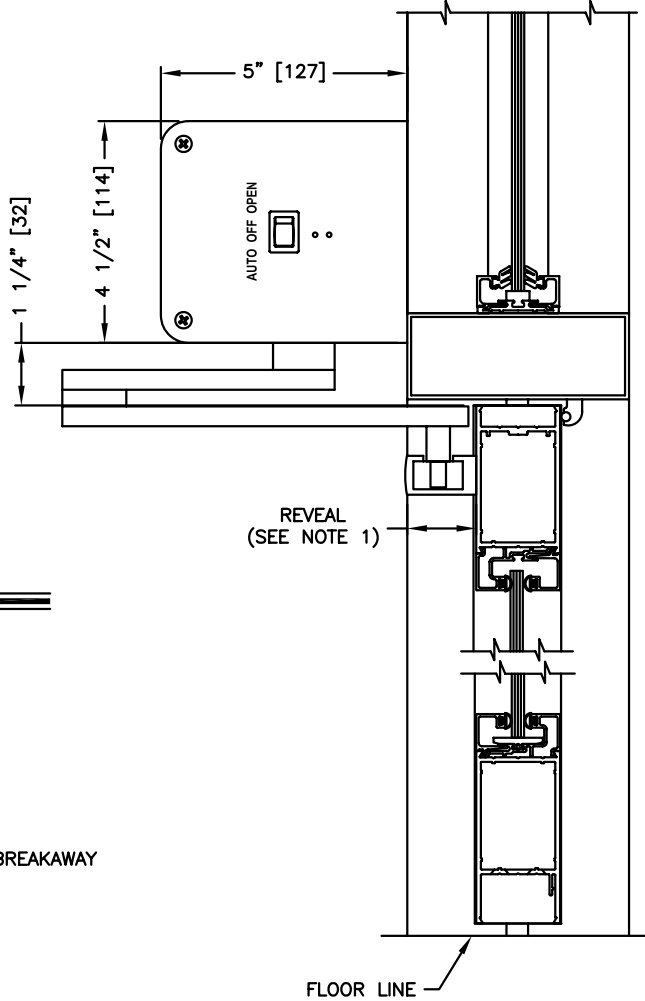
**AUTOMATIC SWING DOOR OPERATORS**

SERIES: 8100 LOW/HIGH ENERGY OPERATOR  
MODEL: 8137 (DUAL SIM.) OR 8147 (DUAL IND.)  
TYPE: R.H. DOUBLE EGRESS (W/BREAKAWAY) PAGE 81-2.13



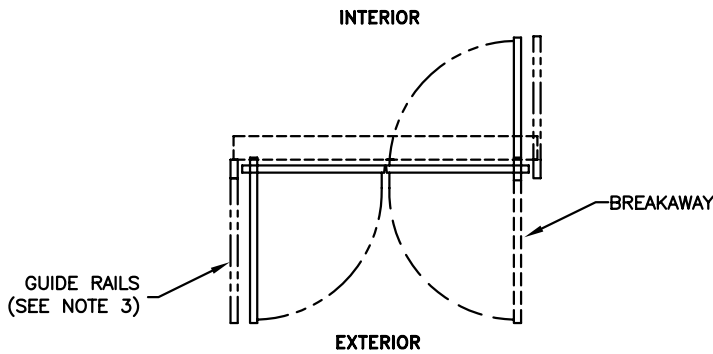
**ELEVATION VIEW**

SCALE: 1/4" = 1'0"



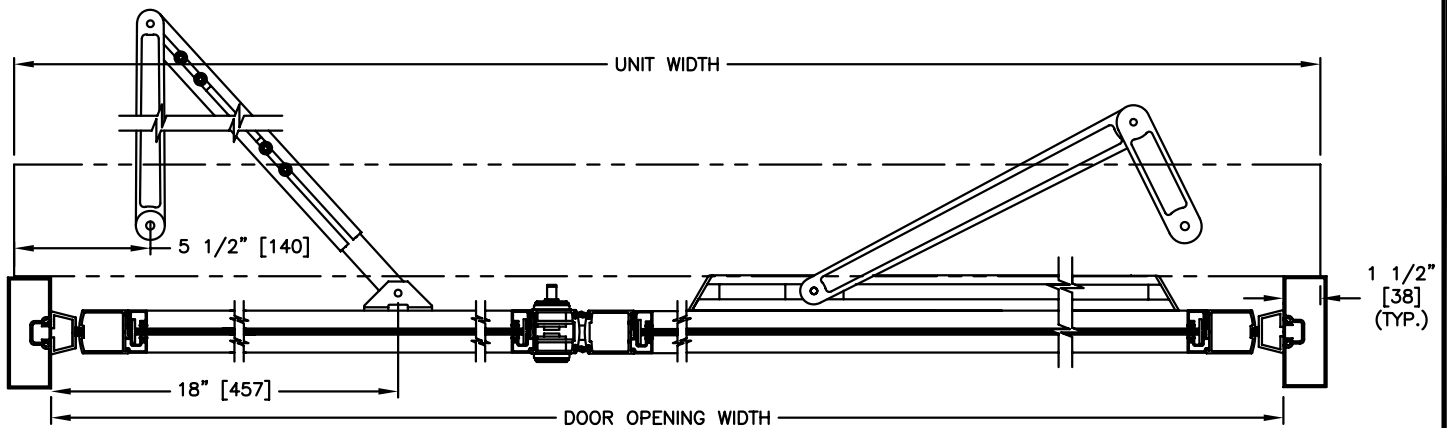
**SECTION: 2**

SCALE: 1/4 SIZE



**PLAN VIEW**

SCALE: 1/4" = 1'0"



**SECTION: 1**

SCALE: 1/8 SIZE

- NOTES:
1. DEPTH OF REVEAL UP TO 3" [76]
  2. DIMENSIONS IN INCHES [MILLIMETERS].
  3. SELECTION OF OPERATOR FROM 8100 (LOW ENERGY) TO 8000 (HIGH ENERGY) WILL DETERMINE THE NEED FOR GUIDE RAILS AND SAFETY SYSTEMS AND IS THE RESPONSIBILITY OF THE INSTALLER