



record-usa
 4324 PHIL HARGETT CT.
 MONROE, NC 28110
 (704) 289 - 9212

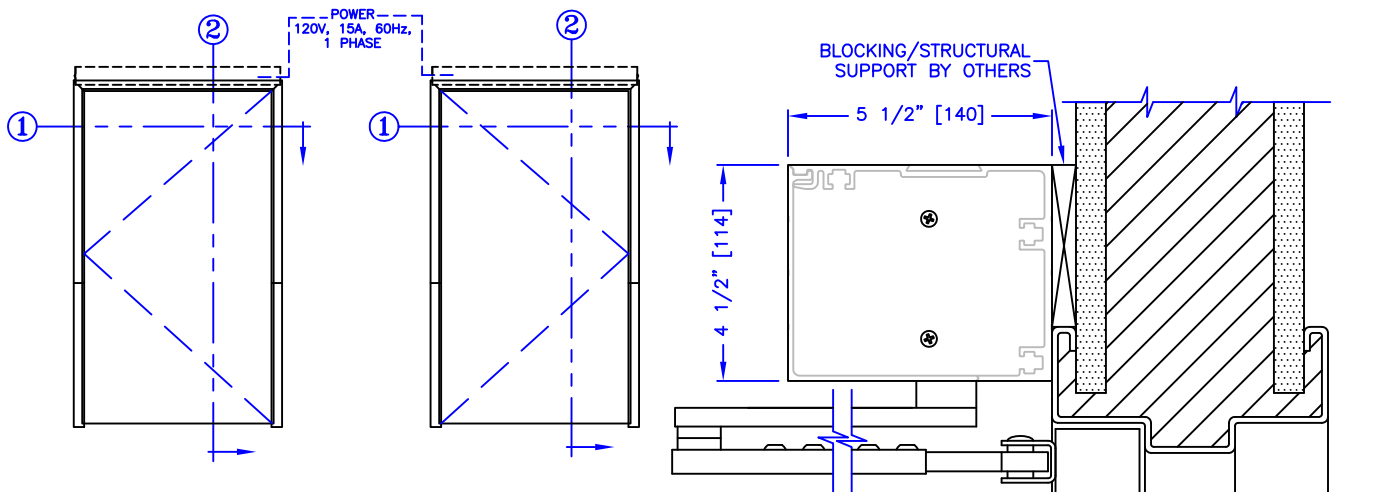
JOB NAME: _____

LOCATION: _____

AUTOMATIC SWING DOOR OPERATORS

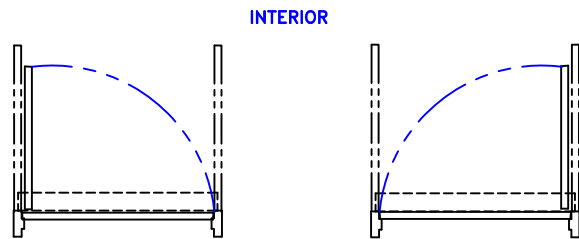
SERIES: 8200 LOW/HIGH ENERGY OPERATOR
 MODEL: 8201 (LH), 8221 (RH),
 TYPE: INSWING (STANDARD ARM)

JUL2011



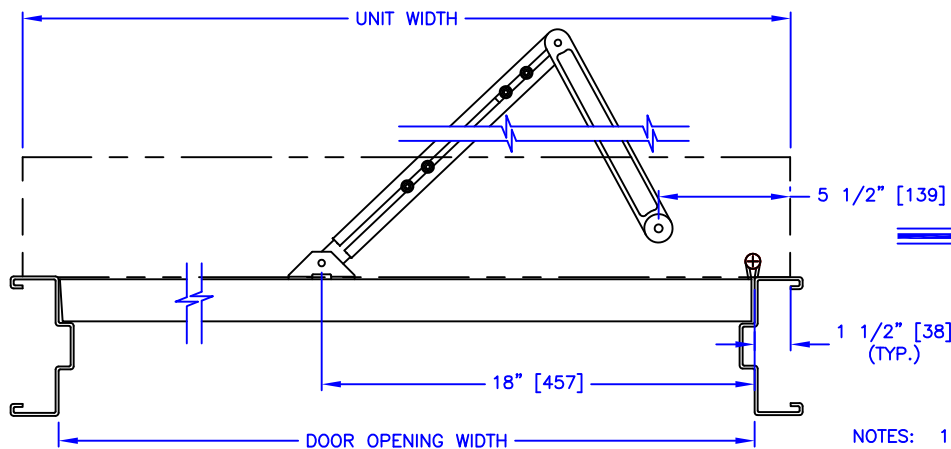
ELEVATION VIEW

SCALE: 1/4" = 1'0"



PLAN VIEW

SCALE: 1/4" = 1'0"



RH SHOWN
 (LH OPPOSITE)

SECTION: 1

SCALE: 1/8" SIZE

REVEAL
 (SEE NOTE 1)

FLOOR LINE

SECTION: 2

SCALE: 1/4" SIZE

- NOTES:
1. DEPTH OF REVEAL UP TO 6" [152]
 2. DIMENSIONS IN INCHES [MILLIMETERS].
 3. SELECTION OF OPERATOR FROM 8100 (LOW ENERGY) TO 8000 (HIGH ENERGY) WILL DETERMINE THE NEED FOR GUIDE RAILS AND SAFETY SYSTEMS AND IS THE RESPONSIBILITY OF THE INSTALLER