



record-usa
4324 PHIL HARGETT CT
MONROE, NC 28110
(704) 289 - 9212

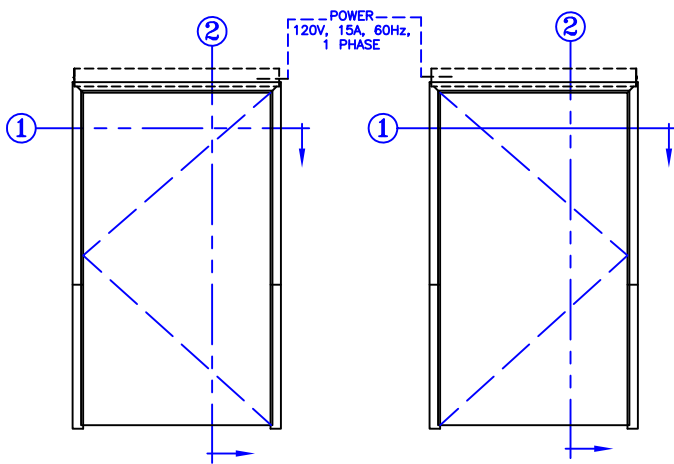
JOB NAME: _____

LOCATION: _____

AUTOMATIC SWING DOOR OPERATORS

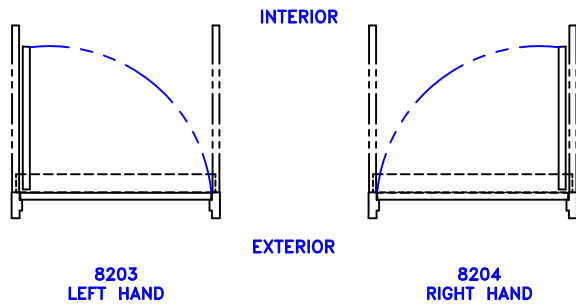
SERIES: 8200 LOW/HIGH ENERGY OPERATOR
MODEL: 8202 (LH), 8222 (RH)
TYPE: INSWING (TRACK ARM)

JUL2011



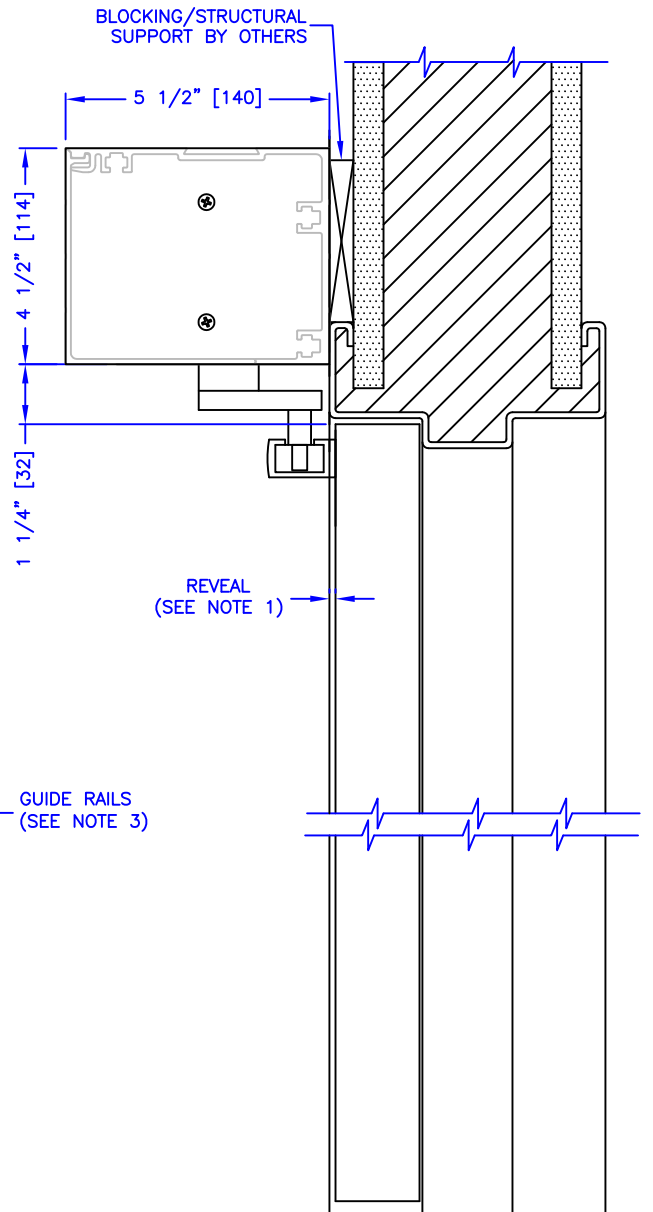
ELEVATION VIEW

SCALE: 1/4" = 1'0"



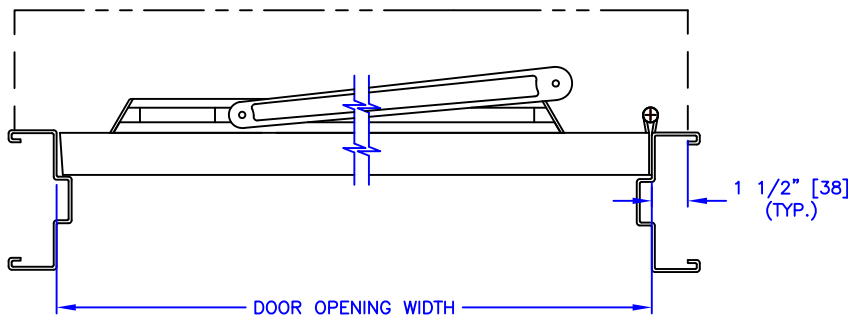
PLAN VIEW

SCALE: 1/4" = 1'0"



SECTION: 2

SCALE: 1/4 SIZE



SECTION: 1

SCALE: 1/8 SIZE

- NOTES:
1. DEPTH OF REVEAL UP TO 3" [76]
 2. DIMENSIONS IN INCHES [MILLIMETERS].
 3. SELECTION OF OPERATOR FROM 8100 (LOW ENERGY) TO 8000 (HIGH ENERGY) WILL DETERMINE THE NEED FOR GUIDE RAILS AND SAFETY SYSTEMS AND IS THE RESPONSIBILITY OF THE INSTALLER