



record-usa
4324 PHIL HARGETT CT.
MONROE, NC 28110
(704) 289 - 9212

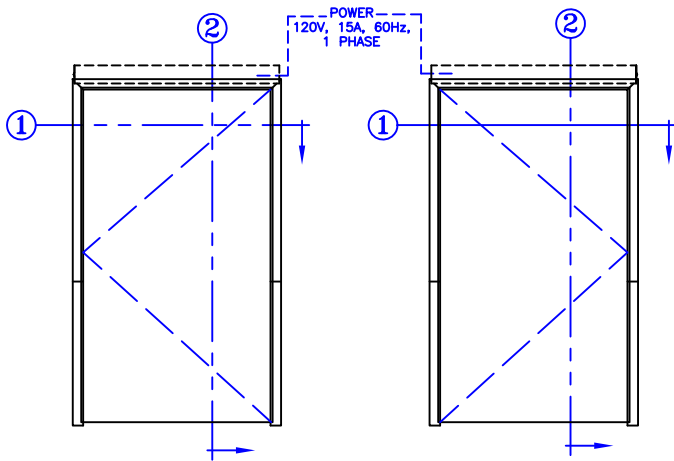
JOB NAME: _____

LOCATION: _____

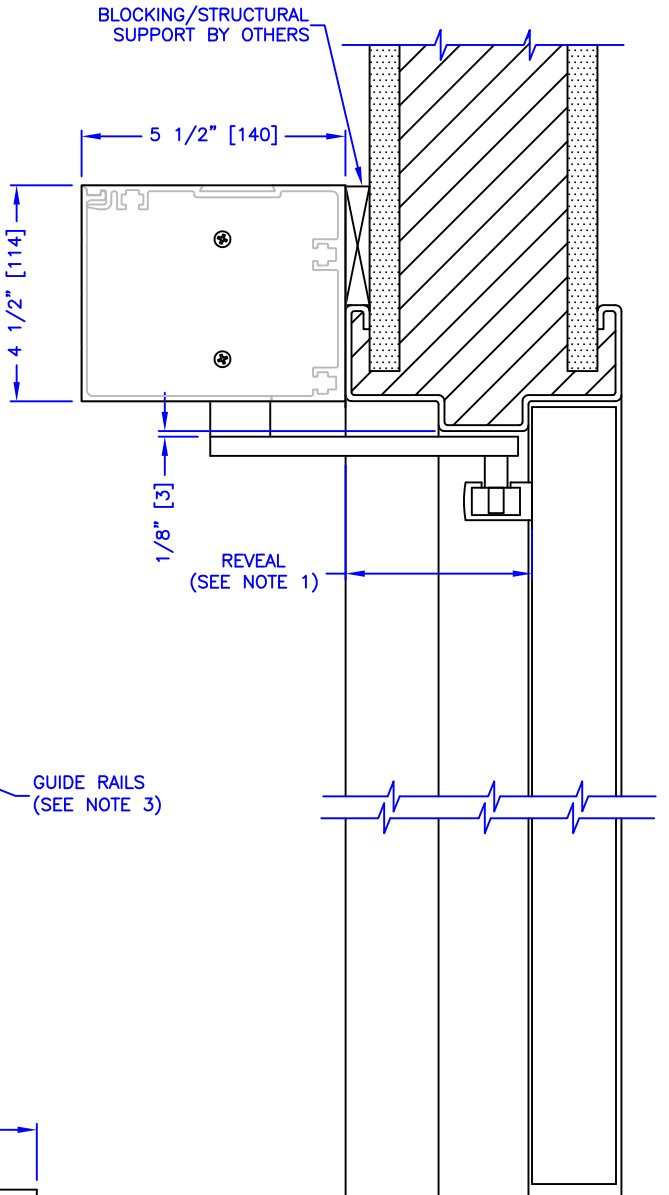
AUTOMATIC SWING DOOR OPERATORS

SERIES: 8200 LOW/HIGH ENERGY OPERATOR
MODEL: 8212 (LHR), 8232 (RHR)
TYPE: OUTSWING (TRACK ARM)

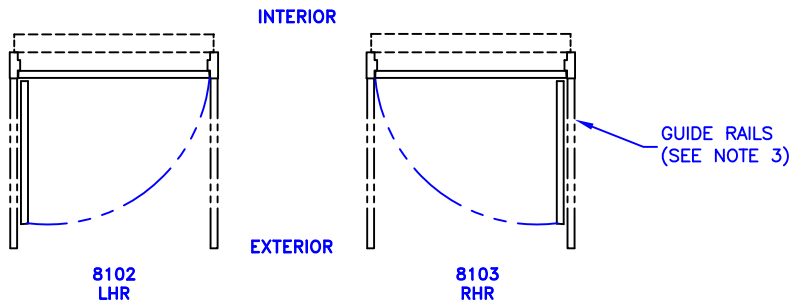
JUL2011



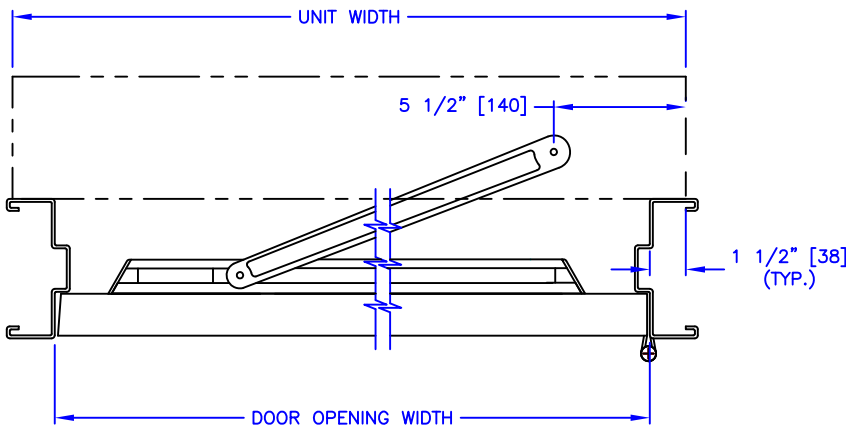
ELEVATION VIEW
SCALE: 1/4" = 1'0"



SECTION: 2
SCALE: 1/4 SIZE



PLAN VIEW
SCALE: 1/4" = 1'0"



RHR SHOWN
(LHR OPPOSITE)

SECTION: 1
SCALE: 1/8 SIZE

- NOTES:
1. DEPTH OF REVEAL UP TO 3" [76]
 2. DIMENSIONS IN INCHES [MILLIMETERS].
 3. SELECTION OF OPERATOR FROM 8100 (LOW ENERGY) TO 8000 (HIGH ENERGY) WILL DETERMINE THE NEED FOR GUIDE RAILS AND SAFETY SYSTEMS AND IS THE RESPONSIBILITY OF THE INSTALLER