



record-usa
 4324 PHIL HARGETT CT.
 MONROE, NC 28110
 (704) 289 - 9212

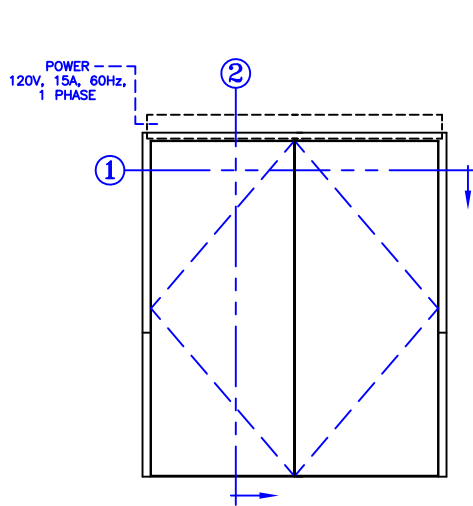
JOB NAME: _____

LOCATION: _____

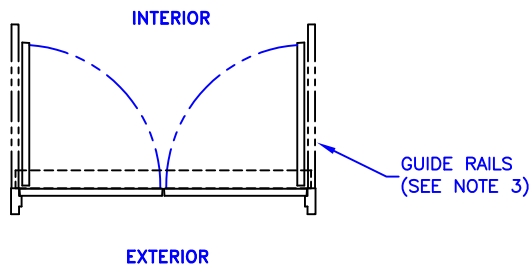
AUTOMATIC SWING DOOR OPERATORS

SERIES: 8200 LOW/HIGH ENERGY OPERATOR
 MODEL: 8252 LH-RH (DUAL SIMULTANEOUS)
 TYPE: INSWING (TRACK ARM)

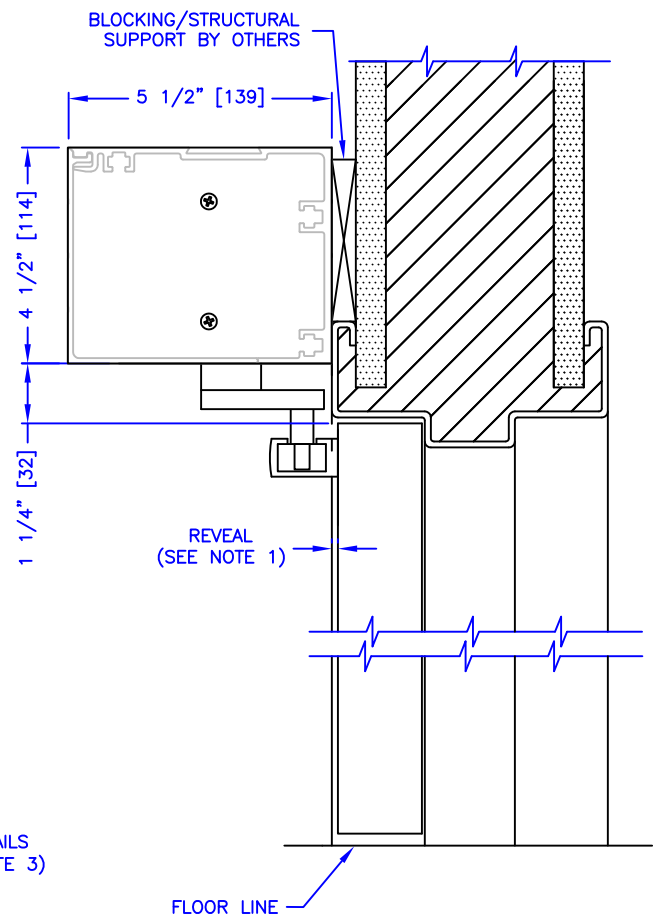
JUL2011



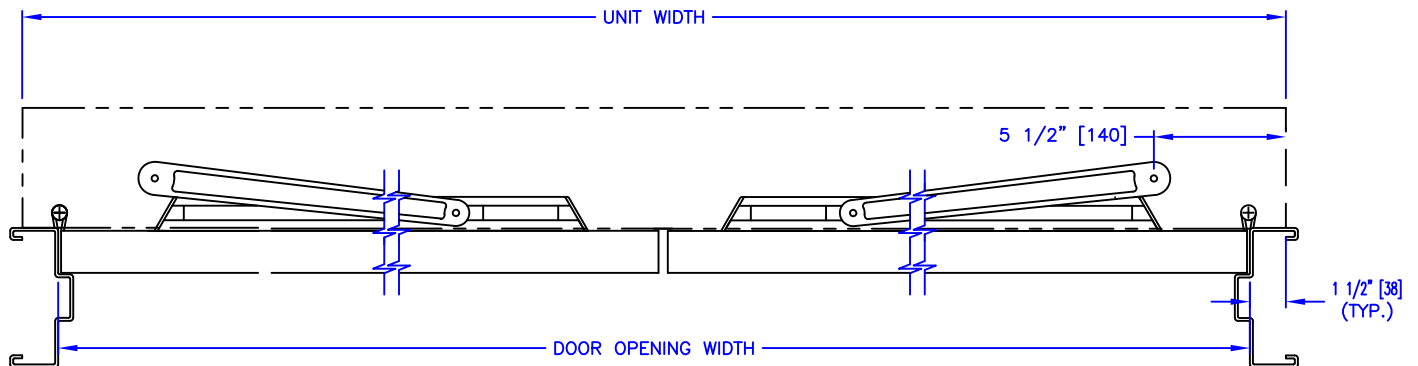
ELEVATION VIEW
 SCALE: 1/4" = 1'0"



PLAN VIEW
 SCALE: 1/4" = 1'0"



SECTION: 2
 SCALE: 1/4 SIZE



SECTION: 1
 SCALE: 1/8 SIZE

- NOTES:
1. DEPTH OF REVEAL UP TO 3" [76]
 2. DIMENSIONS IN INCHES [MILLIMETERS].
 3. SELECTION OF OPERATOR FROM 8100 (LOW ENERGY) TO 8000 (HIGH ENERGY) WILL DETERMINE THE NEED FOR GUIDE RAILS AND SAFETY SYSTEMS AND IS THE RESPONSIBILITY OF THE INSTALLER