



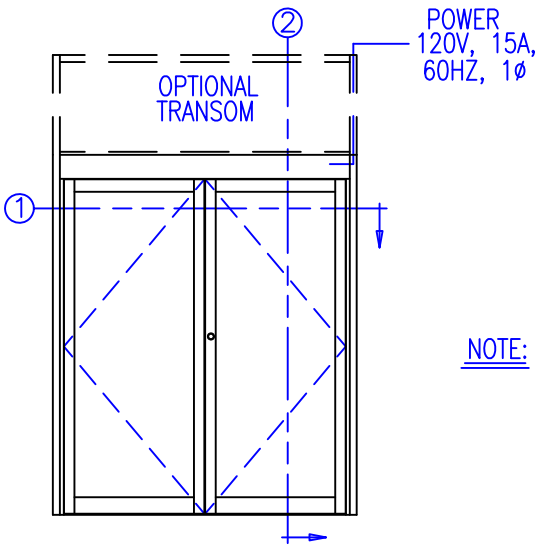
record-usa
4324 PHIL HARGETT CT.
MONROE, NC 28110
(704) 289 - 9212

JOB NAME: _____

LOCATION: _____

AUTOMATIC SWING DOOR SYSTEMS

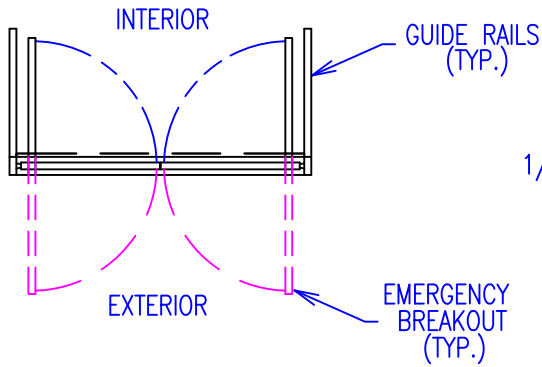
SERIES: 8600 LOW/HIGH ENERGY OPERATOR & DOOR
MODEL: 8655 (LH-RH) DUAL SWING
TYPE: INSWING OVERHEAD CONCEALED with BREAKOUT



ELEVATION VIEW

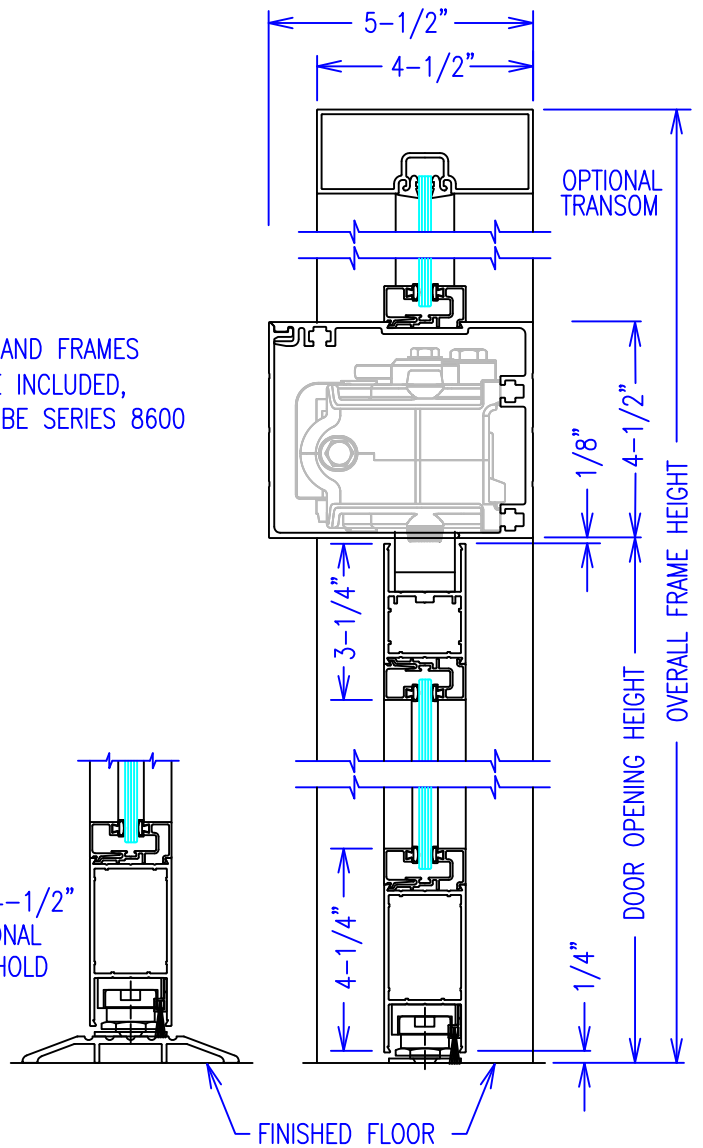
SCALE: 1/4" = 1'0"

NOTE: IF DOORS AND FRAMES ARE TO BE INCLUDED, UNIT WILL BE SERIES 8600



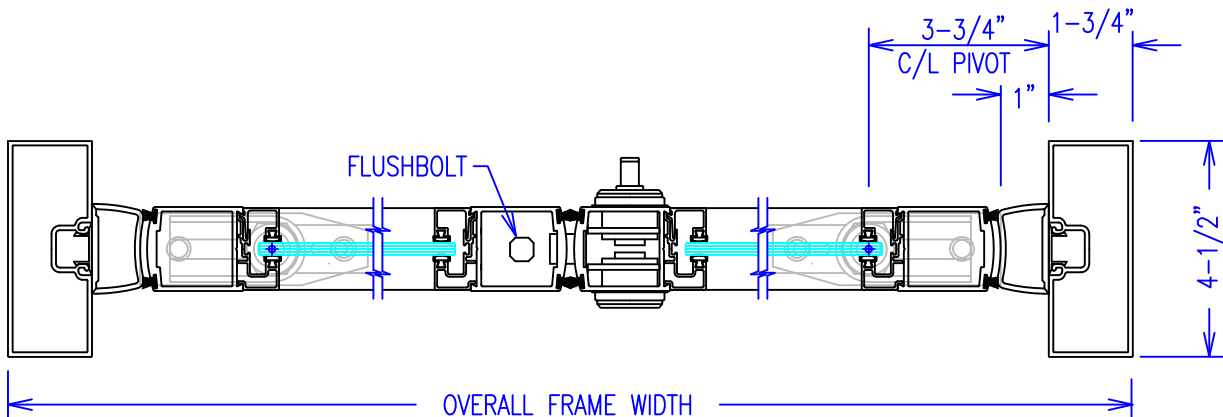
PLAN VIEW

SCALE: 1/4" = 1'0"



SECTION 2

SCALE: 1/4 SIZE



SECTION 1

SCALE: 1/4 SIZE

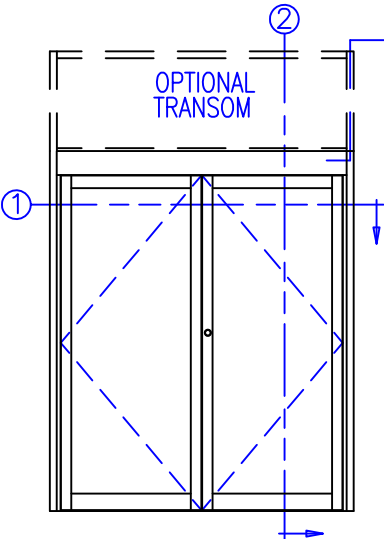


record-usa
4324 PHIL HARGETT CT.
MONROE, NC 28110
(704) 289 - 9212

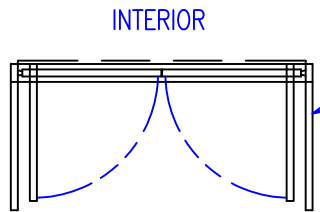
JOB NAME: _____
LOCATION: _____

AUTOMATIC SWING DOOR SYSTEMS

SERIES: 8600 LOW/HIGH ENERGY OPERATOR & DOOR
MODEL: 8665 (LHR-RHR) DUAL SWING
TYPE: OUTSWING OVERHEAD CONCEALED



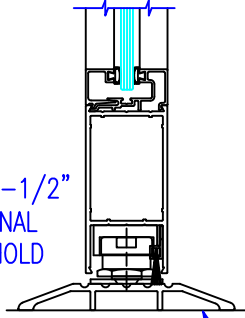
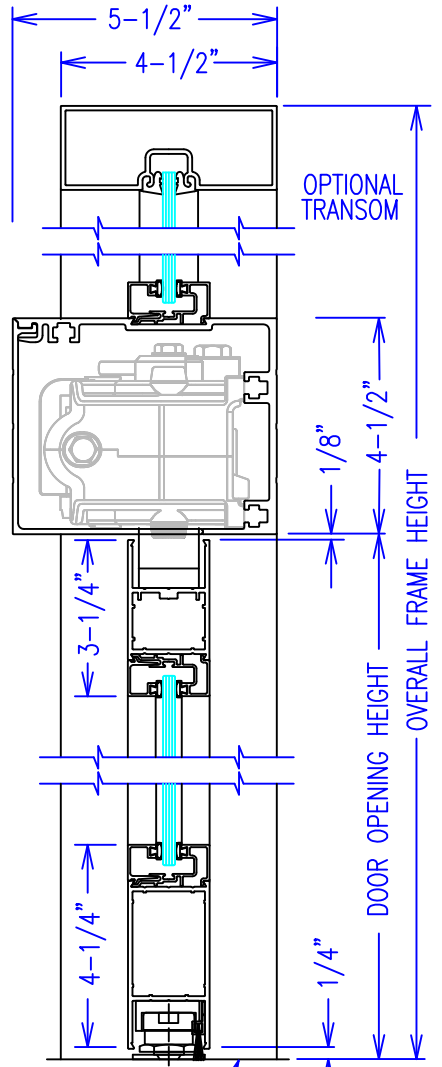
ELEVATION VIEW
SCALE: 1/4" = 1'0"



PLAN VIEW
SCALE: 1/4" = 1'0"

POWER
120V, 15A,
60HZ, 1Ø

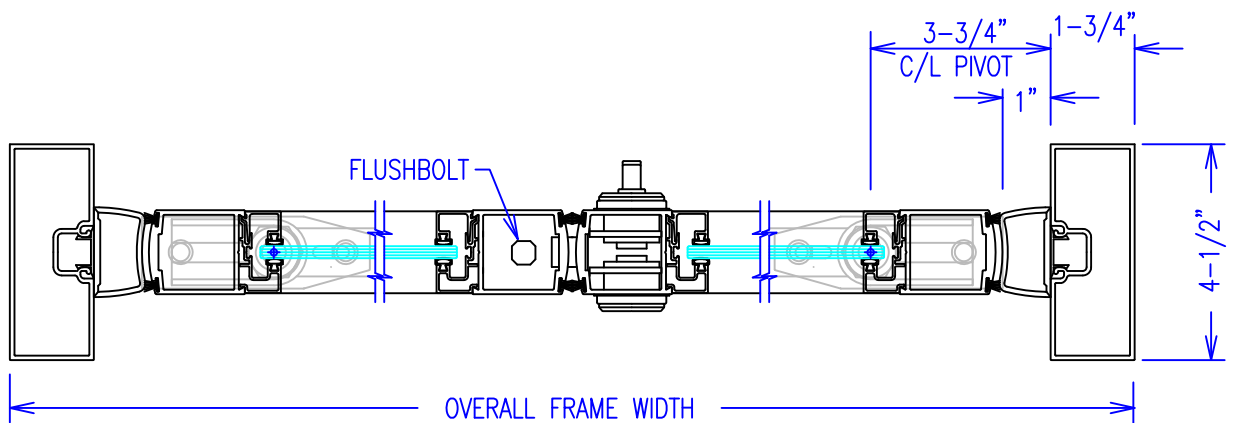
NOTE: IF DOORS AND FRAMES
ARE TO BE INCLUDED,
UNIT WILL BE SERIES 8600



1/2" X 4-1/2"
OPTIONAL
THRESHOLD

FINISHED FLOOR

SECTION 2
SCALE: 1/4 SIZE



OVERALL FRAME WIDTH

SECTION 1
SCALE: 1/4 SIZE