



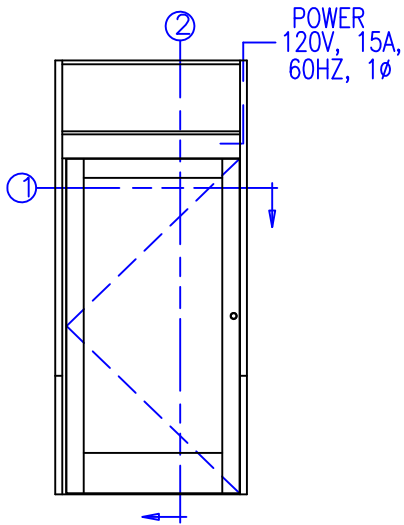
record-usa
4910 STARCREST DR.
MONROE, NC 28110
(704) 289 - 9212

JOB NAME: _____

LOCATION: _____

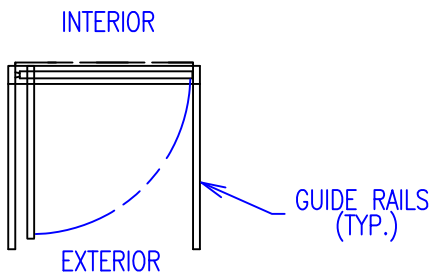
AUTOMATIC SWING DOOR SYSTEMS

SERIES: 8600 LOW/HIGH ENERGY OPERATOR & DOOR
MODEL: 8614 (LHR) OUTSWING CENTER PIVOT
TYPE: MEDIUM STILE DOOR with 10" BOTTOM RAIL



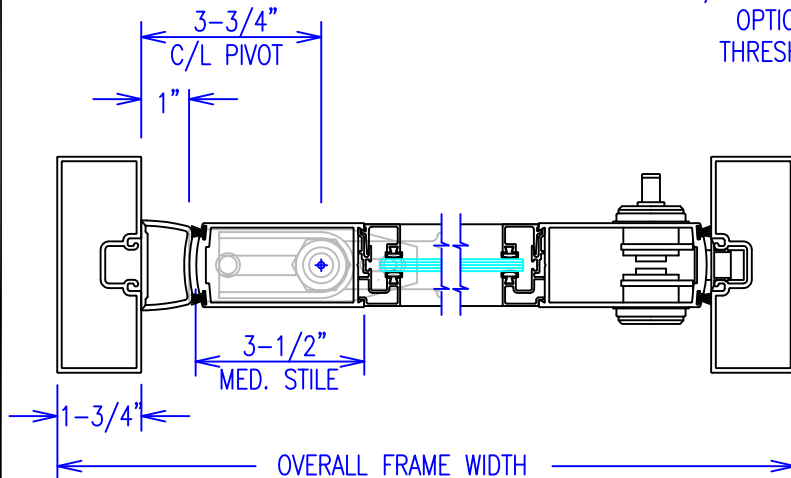
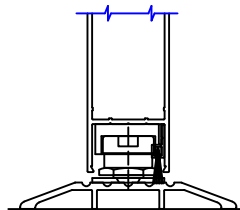
ELEVATION VIEW

SCALE: 1/4" = 1'0"



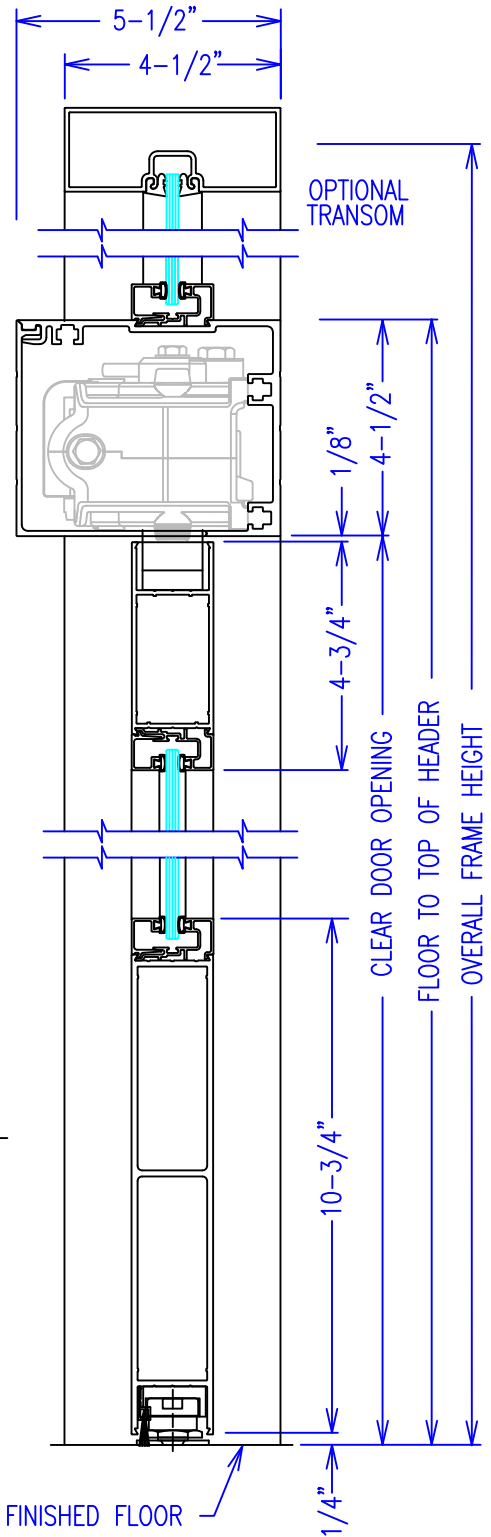
PLAN VIEW

SCALE: 1/4" = 1'0"



SECTION 1

SCALE: 1/4 SIZE



SECTION 2

SCALE: 1/4 SIZE