



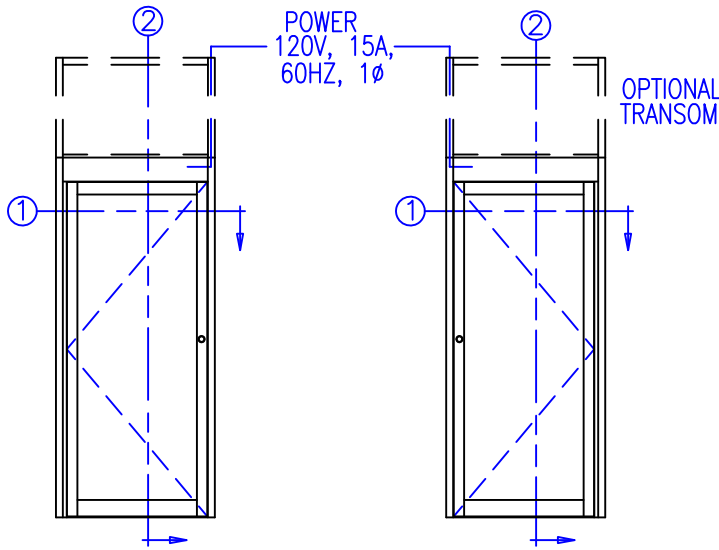
record-usa
4324 PHIL HARGETT CT.
MONROE, NC 28110
(704) 289 - 9212

JOB NAME: _____

LOCATION: _____

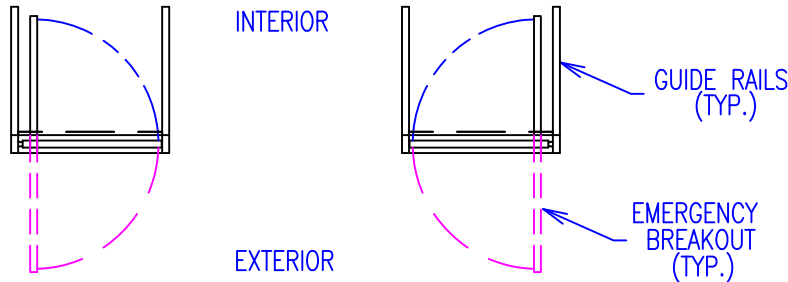
AUTOMATIC SWING DOOR SYSTEMS

SERIES: 8600 LOW/HIGH ENERGY OPERATOR & DOOR
MODEL: 8604 (LH), 8624 (RH) SINGLE SWING
TYPE: INSWING OVERHEAD CONCEALED with BREAKOUT



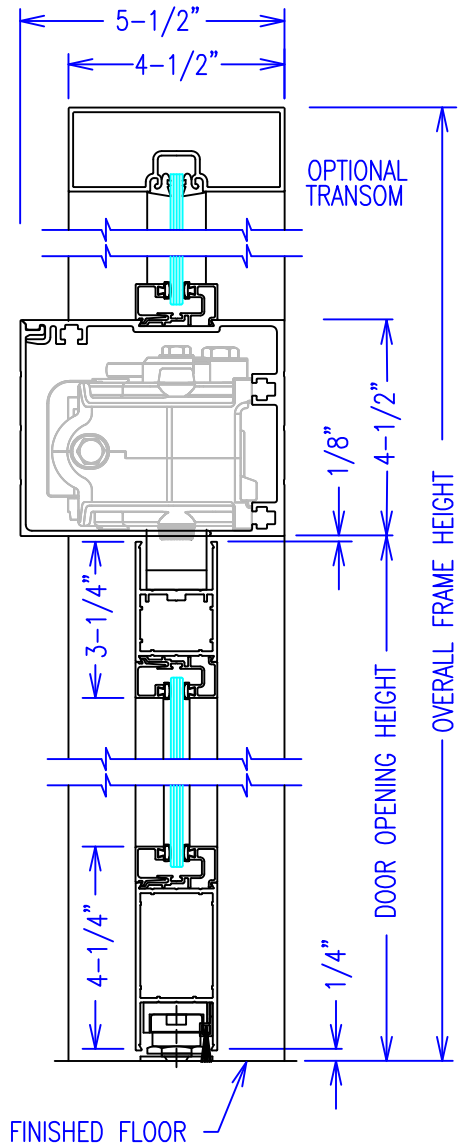
ELEVATION VIEW

SCALE: 1/4" = 1'0"



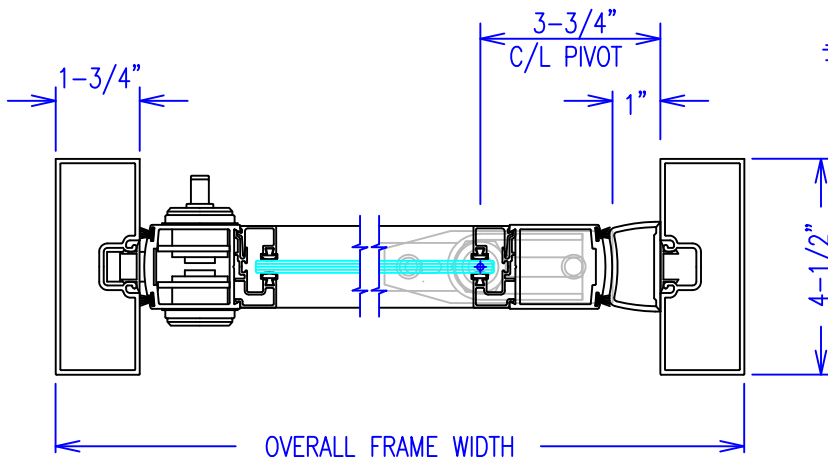
PLAN VIEW

SCALE: 1/4" = 1'0"



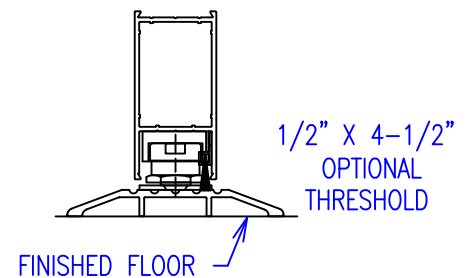
SECTION 2

SCALE: 1/4 SIZE



SECTION 1

SCALE: 1/4 SIZE





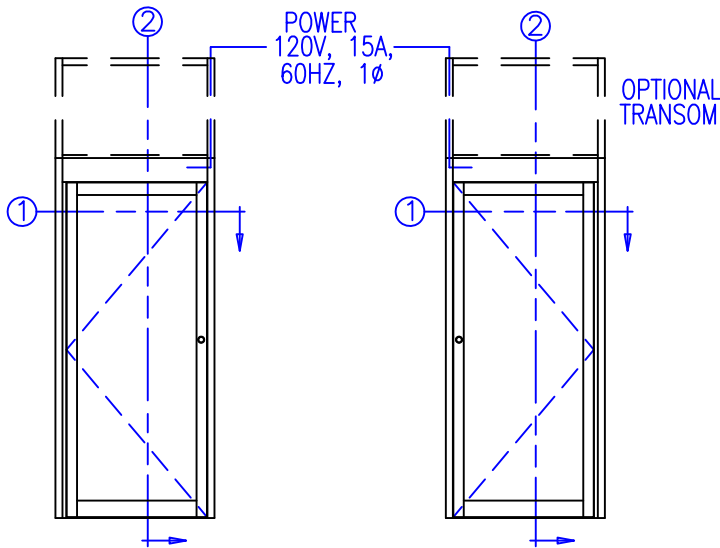
record-usa
 4324 PHIL HARGETT CT.
 MONROE, NC 28110
 (704) 289 - 9212

JOB NAME: _____

LOCATION: _____

AUTOMATIC SWING DOOR SYSTEMS

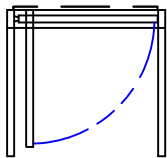
SERIES: 8600 LOW/HIGH ENERGY OPERATOR & DOOR
 MODEL: 8614 (LHR), 8634 (RHR) SINGLE SWING
 TYPE: OUTSWING OVERHEAD CONCEALED



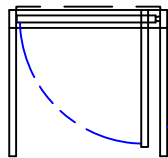
ELEVATION VIEW

SCALE: 1/4" = 1'0"

INTERIOR



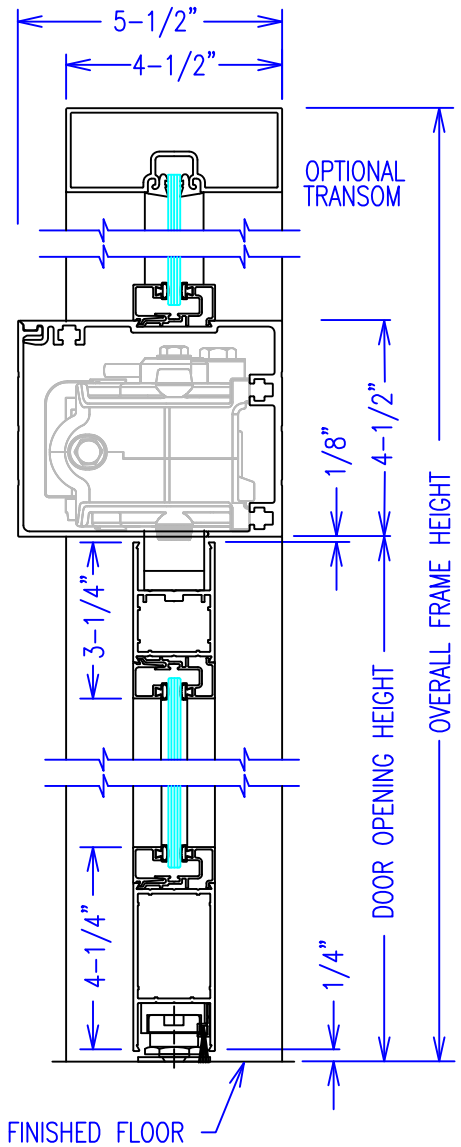
EXTERIOR



GUIDE RAILS (TYP.)

PLAN VIEW

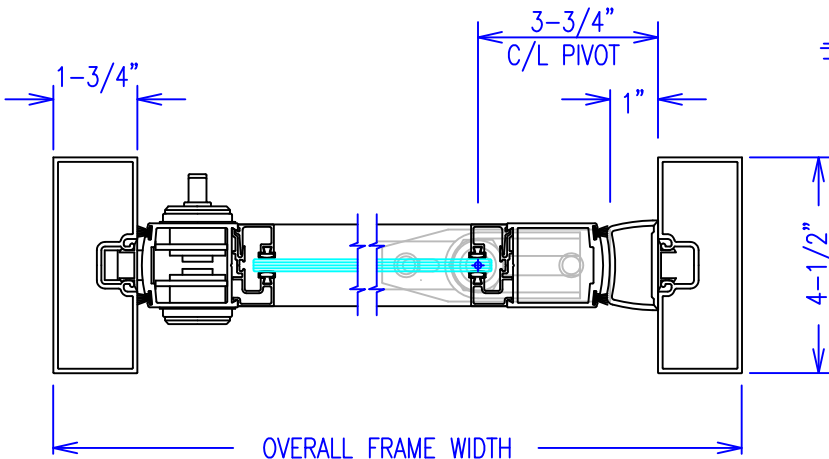
SCALE: 1/4" = 1'0"



FINISHED FLOOR

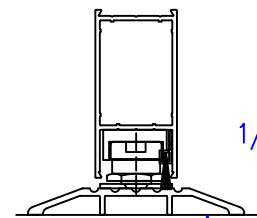
SECTION 2

SCALE: 1/4 SIZE



SECTION 1

SCALE: 1/4 SIZE



1/2" X 4-1/2"
 OPTIONAL
 THRESHOLD

FINISHED FLOOR